

Datasheet

Suction cup U20 HNBR, 1/8" NPT male, with mesh filter

Item number: U20.47.02AC



- Suitable for objects with flat or slightly curved surfaces.
- Also used for concave objects.

Technical data

Description	Unit	Value
Suction cup shape	-	Universal
Suction cup design	-	Round
Characteristics (for filtering)	-	High/low temp cup (plastic). Mark free
Material	-	HNBR
Weight, min.	oz	0.042
Suction cup model	-	U
Volume	in ³	0.061
Height	in	0.79
Outer diameter, min.	in	0.87
Fitting size	-	1/8"
Fitting option	-	Filter mesh
Fitting style	-	Male
Fitting type	-	NPT-thread
Fitting material	-	Al
Suction cup model	-	U20
Movement, vertical max.	in	0.098
Curve radius, min.	in	0.51

Performance - Lifting forces

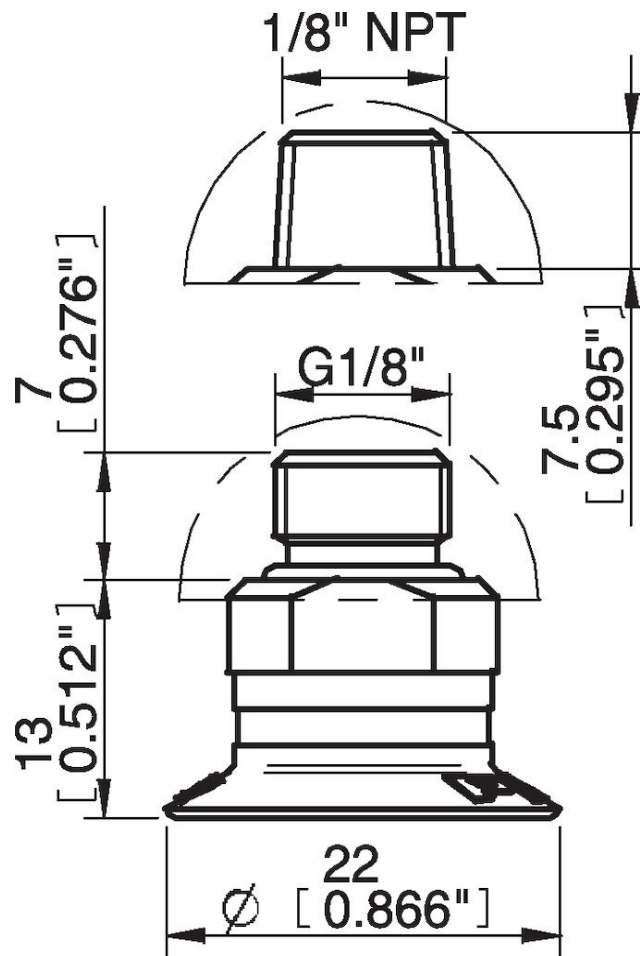
U20	Vertical (lb)	Parallel (lb)
5.91 -inHg	1.33	1.33
17.72 -inHg	2.7	1.98
26.58 -inHg	3.6	2.2

Material	
Name	HNBR 50° Shore A
Color	Blue/grey
Temperature, min. °F	-22
Temperature max. °F	284
Hardness °Shore A	50

Material resistance

Alcohol	Good
Concentrated acids	Fair
Ethanol	Not applicable
Hydrolysis	Good
Methanol	Not applicable
Oil	Excellent
Oxidation	Excellent
Gasoline	Excellent
Wear resistance	Excellent
Weather and ozone	Excellent

Dimensional drawings



Values specified in this data sheet are tested at (unless otherwise stated):

- Room temperature (20°C [68°F] ± 3°C [5.5°F]).
- Standard atmosphere (101.3 [29.9 inHg] ± 1.0 kPa [0.3 inHg]).
- Relative humidity 20-70%.
- Compressed air quality, DIN ISO 8573-1 class 4.

Accessories

02AE | Fitting 5xM5 female

U20.10 | Suction cup U20 Chloroprene

U20.20 | Suction cup U20 Silicone

02AF | Fitting G1/8" male/M5 female, with mesh filter

02CD | Fitting G1/8" male/M5 female, PA

02AA | Fitting M5 female

02AD | Fitting G1/8" male/M5 female

02AB | Fitting G1/8" male, with mesh filter

02DA | Fitting M5 female, with dual flow control valve

02DC | Fitting 1/8" NPT male, with dual flow control valve

02DD | Fitting G1/8" male/M5 female, with dual flow control valve

02DE | Fitting 5xM5 female, with dual flow control valve

Spare parts

U20.47 | Suction cup U20 HNBR

02AC | Fitting 1/8" NPT male, with mesh filter