

Datasheet

Suction cup U20 Silicone FCM, 1/8" NPT male, with mesh filter

Item number: U20.21.02AC



- The silicone material complies with FDA 21 CFR 177.2600 & EU 1935/2004.
- Suitable for objects with flat or slightly curved surfaces.
- Also used for concave objects.

Technical data

Description	Unit	Value
Suction cup shape	-	Universal
Suction cup design	-	Round
Characteristics (for filtering)	-	Food contact materials (FDA & EU). non-detectable. High/low temp cup (plastic)
Material	-	Silicone (SIL)
Weight, min.	oz	0.042
Suction cup model	-	U
Volume	in ³	0.061
Height	in	0.79
Outer diameter, min.	in	0.87
Fitting size	-	1/8"
Fitting option	-	Filter mesh
Fitting style	-	Male
Fitting type	-	NPT-thread
Fitting material	-	Al
Suction cup model	-	U20
Movement, vertical max.	in	0.098
Curve radius, min.	in	0.51

Performance - Lifting forces

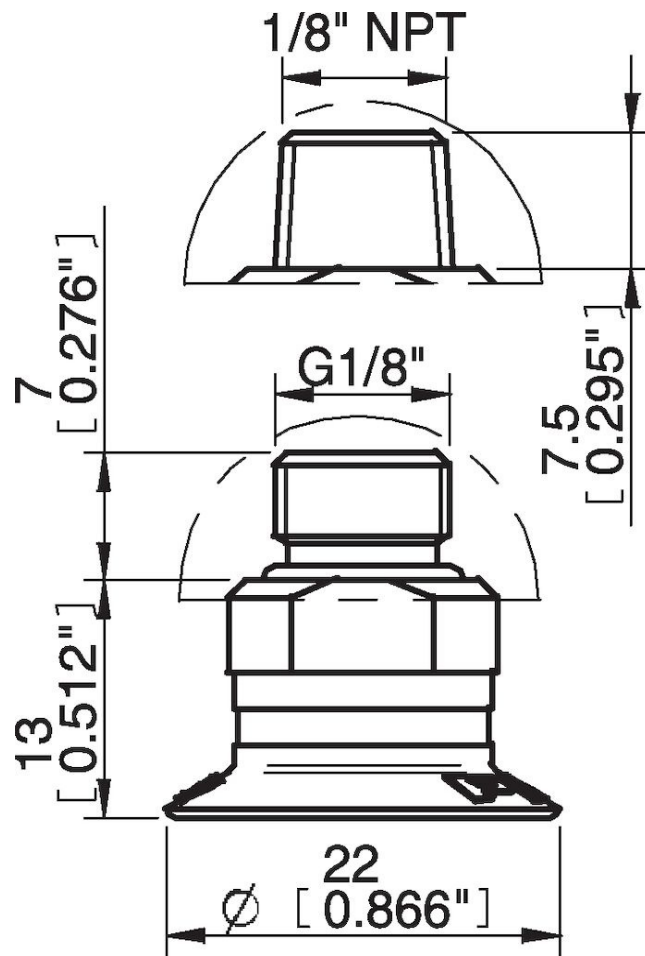
U20	Vertical (lb)	Parallel (lb)
5.91 -inHg	1.33	1.33
17.72 -inHg	2.7	1.98
26.58 -inHg	3.6	2.2

Material	Silicone (SIL FDA) 50° Shore
Name	Silicone (SIL FDA) 50° Shore
Color	Transparent
Temperature, min. °F	-40
Temperature max. °F	392
Hardness °Shore A	50

Material resistance

Alcohol	Good
Concentrated acids	Poor
Ethanol	Not applicable
Hydrolysis	Fair
Methanol	Not applicable
Oil	Poor
Oxidation	Excellent
Gasoline	Poor
Wear resistance	Good
Weather and ozone	Excellent

Dimensional drawings



Values specified in this data sheet are tested at (unless otherwise stated):

- Room temperature (20°C [68°F] ± 3°C [5.5°F]).
- Standard atmosphere (101.3 [29.9 inHg] ± 1.0 kPa [0.3 inHg]).
- Relative humidity 20-70%.
- Compressed air quality, DIN ISO 8573-1 class 4.

Accessories

- O2AF | Fitting G1/8" male/M5 female, with mesh filter
- O2AB | Fitting G1/8" male, with mesh filter

Spare parts

- U20.21 | Suction cup U20 Silicone FCM
- O2AC | Fitting 1/8" NPT male, with mesh filter