

# Datasheet

## Suction cup FC25P Polyurethane 50, G1/8" male, with dual flow control valve

Item number: FC25P.4D.02DB



- Suitable for lifting small objects and narrow parts, also slightly domed, flat and oily surfaces, e.g., such as those encountered when handling steel sheets in press processes.
- Thanks to the high friction of the rubber material, the suction cups can withstand high forces at rapid accelerations in horizontal directions, even on oily surfaces.
- The suction cups have cleats that prevent thin objects from being disfigured.
- DURAFLEX® suction cups manufactured in a specially developed material that features the elasticity of rubber and wear resistance of polyurethane. The material does not leave any marks on the objects handled.

### Technical data

Description	Unit	Value
Suction cup shape	-	Flat Concave
Suction cup design	-	Round
Characteristics (for filtering)	-	Mark free
Material	-	Polyurethane (PU)
Weight, min.	oz	0.11
Suction cup model	-	FC
Volume	in <sup>3</sup>	0.18
Leakage flow, max.	scfm	0.13
Height	in	0.91
Outer diameter, min.	in	1.12
Fitting size	-	1/8"
Fitting option	-	Dual flow control valve
Fitting style	-	Male
Fitting type	-	G-thread
Valve restriction	in	0.028
Restricted vacuum flow	scfm	1.48
Fitting material	-	Al
Suction cup model	-	FC25P
Movement, vertical max.	in	0.15
Curve radius, min.	in	1.77

### Performance - Lifting forces

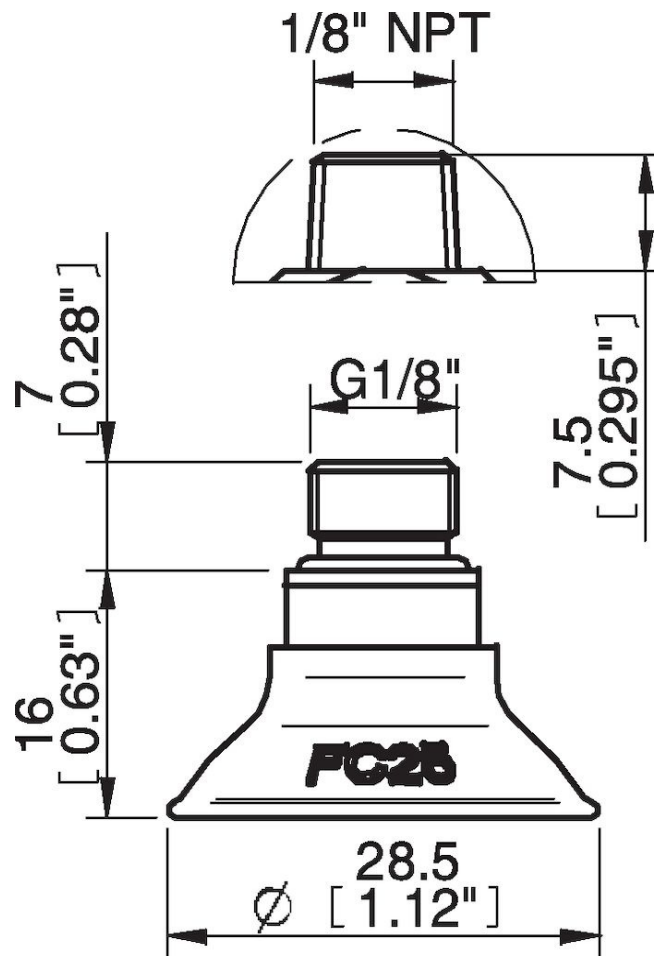
FC25P	Vertical (lb)	Parallel (lb)
5.91 -inHg	1.8	2.023
17.72 -inHg	4.5	2.7
26.58 -inHg	6.07	4.047

Material	
Name	Polyurethane (PU50)
Color	Blue transparent
Temperature, min.   °F	50
Temperature max.   °F	122
Hardness   °Shore A	50

### Material resistance

Alcohol	Not applicable
Concentrated acids	Fair
Ethanol	Fair
Hydrolysis	Fair
Methanol	Poor
Oil	Excellent
Oxidation	Poor
Gasoline	Fair
Wear resistance	Excellent
Weather and ozone	Excellent

### Dimensional drawings



Values specified in this data sheet are tested at (unless otherwise stated):

- Room temperature (20°C [68°F] ± 3°C [5.5°F]).
- Standard atmosphere (101.3 [29.9 inHg] ± 1.0 kPa [0.3 inHg]).
- Relative humidity 20-70%.
- Compressed air quality, DIN ISO 8573-1 class 4.

**Accessories**

02AE | Fitting 5xM5 female

02AF | Fitting G1/8" male/M5 female, with mesh filter

02AA | Fitting M5 female

02AD | Fitting G1/8" male/M5 female

02AB | Fitting G1/8" male, with mesh filter

02AC | Fitting 1/8" NPT male, with mesh filter

02DA | Fitting M5 female, with dual flow control valve

02DC | Fitting 1/8" NPT male, with dual flow control valve

02DD | Fitting G1/8" male/M5 female, with dual flow control valve

02DE | Fitting 5xM5 female, with dual flow control valve

**Spare parts**

FC25P.4D | Suction cup FC25P Polyurethane 50