

Datasheet

Suction cup F-BX15 Silicone 1/4" NPT male composite, detectable, FCM

Item number: FBX15.DS40.NT14MDC.00



Technical data

Description	Unit	Value
Suction cup shape	-	Multibellows
Application	-	Food contact materials (FDA & EU), detectable
Suction cup design	-	Round
Characteristics	-	Food contact materials (FDA & EU), detectable
Material	-	Silicone (SIL)
Load, torque, max.	lb ft	9.59
Weight, min.	oz	0.13
Suction cup model	-	F-BX
Volume	in ³	0.069
Height	in	1.14
Outer diameter, min.	in	0.63
Outer diameter, actuated	in	0.63
Fitting size	-	1/4"
Fitting option	-	None
Fitting style	-	Male
Fitting type	-	NPT-thread
Tightening torque, max.	lb ft	9.59
Fitting material	-	Composite
Suction cup model	-	F-BX15
Movement, vertical max.	in	0.39
Curve radius, min.	in	0.22

Performance - Lifting forces

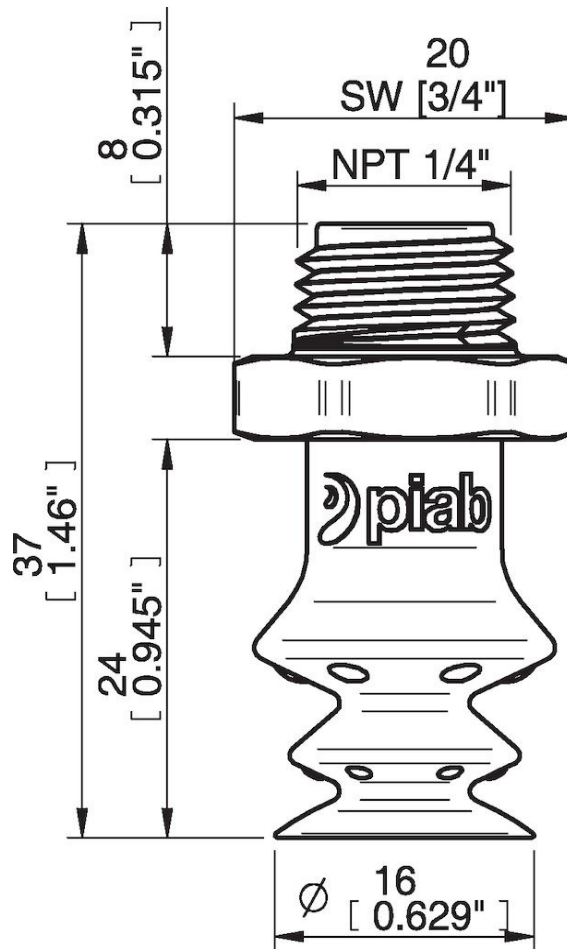
F-BX15	Vertical (lb)	Parallel (lb)
2.95 -inHg	0.29	0.34
5.91 -inHg	0.61	0.63
11.81 -inHg	0.97	0.81

Material	
Name	Silicone (SIL detectable FCM)
Color	Blue
Temperature, min. °F	-40.0
Temperature max. °F	392.0
Hardness °Shore A	40

Material resistance

Alcohol	Good
Concentrated acids	Poor
Ethanol	n/a
Hydrolysis	Fair
Methanol	n/a
Oil	Poor
Oxidation	Excellent
Gasoline	Poor
Wear resistance	Good
Weather and ozone	Excellent

Dimensional drawings



Values specified in this data sheet are tested at (unless otherwise stated):

- Room temperature (20°C [68°F] ± 3°C [5.5°F]).
- Standard atmosphere (101.3 [29.9 inHg] ± 1.0 kPa [0.3 inHg]).
- Relative humidity 20-70%.
- Compressed air quality, DIN ISO 8573-1 class 4.

Accessories

02.07.139 | Fitting G1/8" Male, SS, F-BX15-20 P-D27

02.07.140 | Fitting 1/8"NPT Male, SS, F-BX15-20 P-D27

02.07.141 | Fitting G1/4" Male, SS, F-BX15-20 P-D27

02.07.142 | Fitting 1/4"NPT Male, SS, F-BX15-20 P-D27

02.07.143 | Fitting G1/8" Male, composite, F-BX15-20 P-D27

02.07.144 | Fitting 1/8"NPT Male, composite, F-BX15-20 P-D27

02.07.145 | Fitting G1/4" Male, composite, F-BX15-20 P-D27

02.07.146 | Fitting 1/4"NPT Male, composite, F-BX15-20 P-D27

Spare parts

FBX15.DS40 | Suction cup F-BX15 Silicone detectable, FCM

02.07.146 | Fitting 1/4"NPT Male, composite, F-BX15-20 P-D27