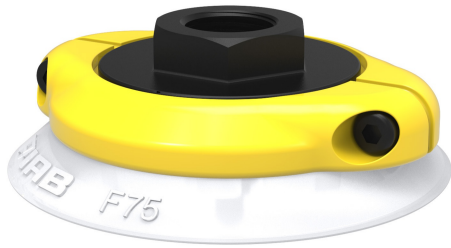


Datasheet

Suction cup F75 Silicone FCM, 3/8" NPSF female, with mesh filter

Item number: F75.21.07NE



- The silicone material complies with FDA 21 CFR 177.2600 & EU 1935/2004.
- Suitable for flat objects.
- Good stability and little inherent movement.
- Recommended when the lifting force is parallel to the surface of the object.
- Cleats prevent thin, sensitive objects from being deformed and give extra friction when the lifting force is parallel.

Technical data

Description	Unit	Value
Suction cup shape	-	Flat
Suction cup design	-	Round
Characteristics (for filtering)	-	Food contact materials (FDA & EU). non-detectable. High/low temp cup (plastic)
Material	-	Silicone (SIL)
Weight, min.	oz	0.81
Suction cup model	-	F
Volume	in ³	1.22
Height	in	1.024
Outer diameter, min.	in	3.031
Fitting size	-	3/8"
Fitting option	-	Filter mesh
Fitting style	-	Female
Fitting type	-	NPSF-thread
Fitting material	-	Al
Suction cup model	-	F75
Movement, vertical max.	in	0.12
Curve radius, min.	in	5.91

Performance - Lifting forces

F75	Vertical (lb)	Parallel (lb)
5.91 -inHg	17.98	13.49
17.72 -inHg	44.96	24.73
26.58 -inHg	60.7	31.47

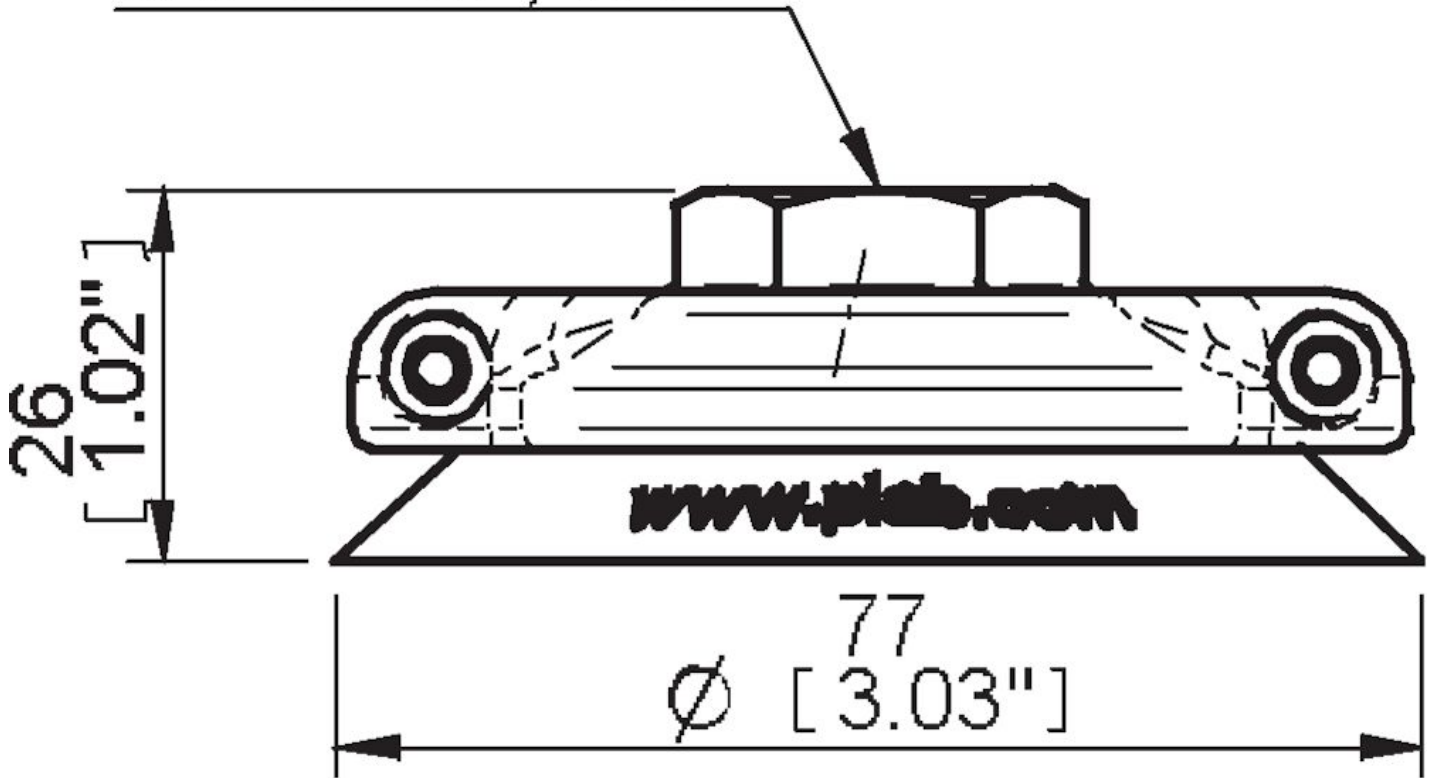
Material	
Name	Silicone (SIL FDA) 50° Shore
Color	Transparent
Temperature, min. °F	-40
Temperature max. °F	392
Hardness °Shore A	50

Material resistance

Alcohol	Good
Concentrated acids	Poor
Ethanol	Not applicable
Hydrolysis	Fair
Methanol	Not applicable
Oil	Poor
Oxidation	Excellent
Gasoline	Poor
Wear resistance	Good
Weather and ozone	Excellent

Dimensional drawings

1/8" NPSF, G3/8"
 3/8" NPSF, G1/2"



Values specified in this data sheet are tested at (unless otherwise stated):

- Room temperature (20°C [68°F] ± 3°C [5.5°F]).
- Standard atmosphere (101.3 [29.9 inHg] ± 1.0 kPa [0.3 inHg]).
- Relative humidity 20-70%.
- Compressed air quality, DIN ISO 8573-1 class 4.

Accessories

07ND | Fitting 75, G3/8" female, clamp ring with mesh filter

Spare parts

- 07NE | Fitting 75, 3/8" NPSF female, with mesh filter
- F75.21 | Suction cup F75 Silicone FCM