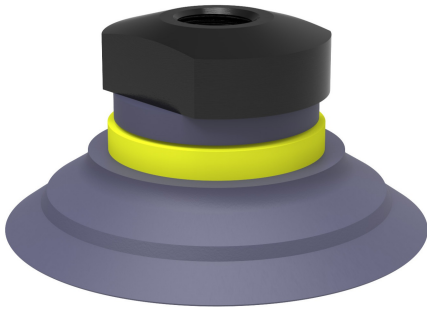


Datasheet

Suction cup F50-2 HNBR, 1/8" NPSF female with mesh filter

Item number: F50-2.37.05AG



- Made from high-performance, mark free, HNBR
- Excellent resistance to heat, oil, and chemicals
- Flat design for secure, stable handling
- Recommended when the lifting force is parallel to the surface of the object.
- Reliable grip on smooth surfaces
- Ideal for automotive and heavy-duty industries

Technical data

Description	Unit	Value
Suction cup shape	-	Flat
Suction cup design	-	Round
Characteristics (for filtering)	-	High/low temp cup (plastic). Mark free
Material	-	HNBR
Weight, min.	oz	0.49
Suction cup model	-	F
Volume	in ³	0.61
Height	in	1.043
Outer diameter, min.	in	2.087
Fitting size	-	1/8"
Fitting option	-	Filter mesh
Fitting style	-	Female
Fitting type	-	NPSF-thread
Fitting material	-	Al
Suction cup model	-	F50-2
Movement, vertical max.	in	0.087
Curve radius, min.	in	2.17

Performance - Lifting forces

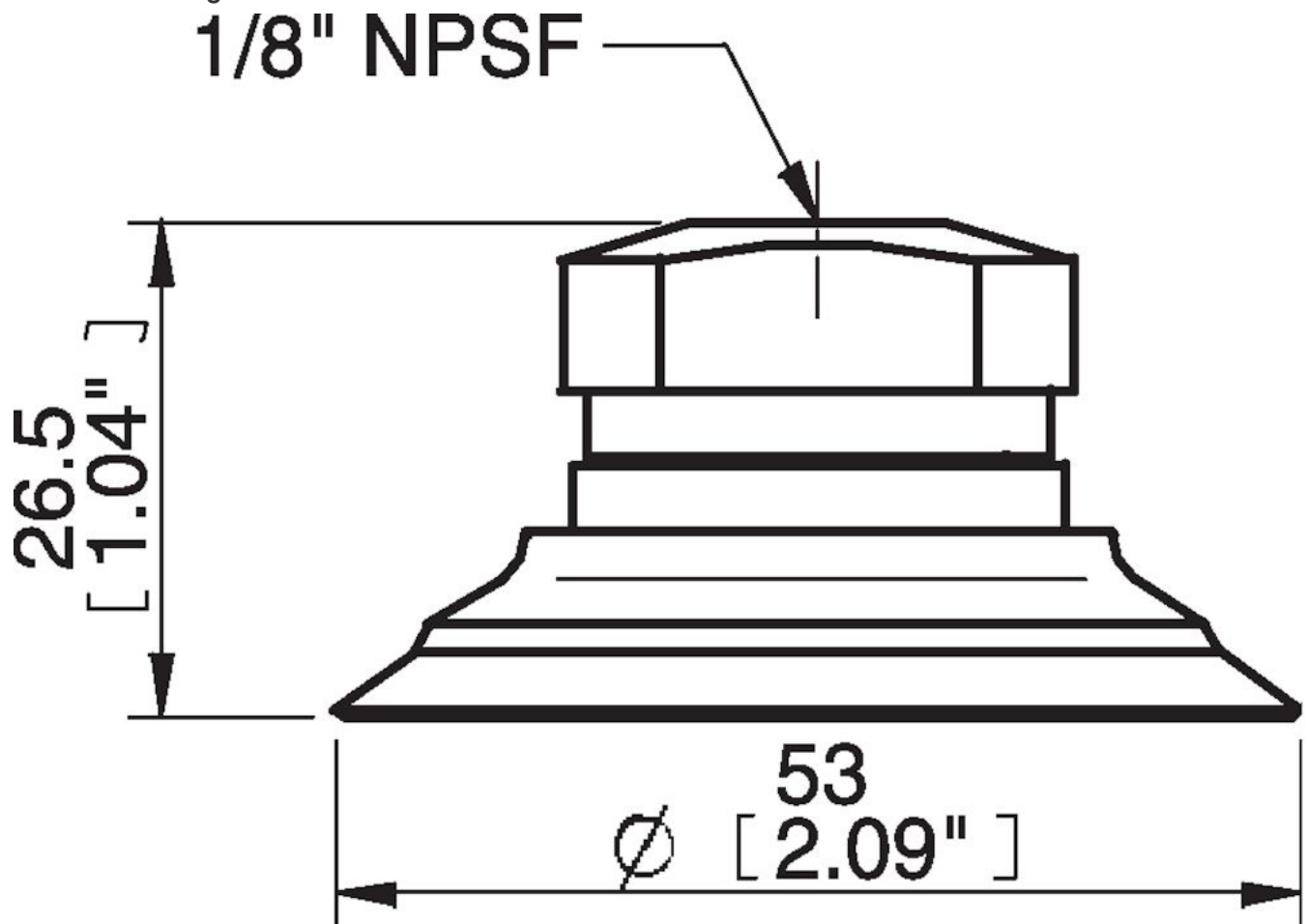
F50-2	Vertical (lb)	Parallel (lb)
5.91 -inHg	8.093	5.4
17.72 -inHg	16.64	8.99
26.58 -inHg	21.58	11.24

Material	
Name	HNBR 75° Shore A
Color	Blue/grey
Temperature, min. °F	-22
Temperature max. °F	284
Hardness °Shore A	75

Material resistance

Alcohol	Good
Concentrated acids	Fair
Ethanol	Not applicable
Hydrolysis	Good
Methanol	Not applicable
Oil	Excellent
Oxidation	Excellent
Gasoline	Excellent
Wear resistance	Excellent
Weather and ozone	Excellent

Dimensional drawings



Values specified in this data sheet are tested at (unless otherwise stated):

- Room temperature (20°C [68°F] ± 3°C [5.5°F]).
- Standard atmosphere (101.3 [29.9 inHg] ± 1.0 kPa [0.3 inHg]).
- Relative humidity 20-70%.
- Compressed air quality, DIN ISO 8573-1 class 4.

Accessories

05AF | Fitting 5x1/8" NPSF female, 50
F50-2.30 | Suction cup F50-2 Nitrile-PVC
F50-2.20 | Suction cup F50-2 Silicone
05UV | Fitting 1/8" NPSF female, 50, with cone valve
05CA | Fitting 1/8" NPSF female, 50, PA
05AA | Fitting 1/8" NPSF female, 50
05AD | Fitting G3/8" male, 50, with mesh filter
05AE | Fitting 3/8" NPT male, with mesh filter
05AB | Fitting G1/4" male, 50, with mesh filter
05AC | Fitting 1/4" NPT male, with mesh filter
05DA | Fitting 1/8" NPSF female, 50, with dual flow control valve
05DB | Fitting G1/4" male, with dual flow control valve
05DC | Fitting 1/4" NPT male, with dual flow control valve
05DD | Fitting G3/8" male, 50, with mesh filter and dual flow control valve
05DE | Fitting 3/8" NPT male, with dual flow control valve
05DF | Fitting 5x1/8" NPSF female, 50, with dual flow control valve
31.50.241P | Suction cup F50-2 Nitrile-PVC
31.50.241S | Suction cup F50-2 Silicone, for fitting with cone valve

Spare parts

05AG | Fitting 1/8" NPSF female, 50, with mesh filter
F50-2.37 | Suction cup F50-2 HNBR