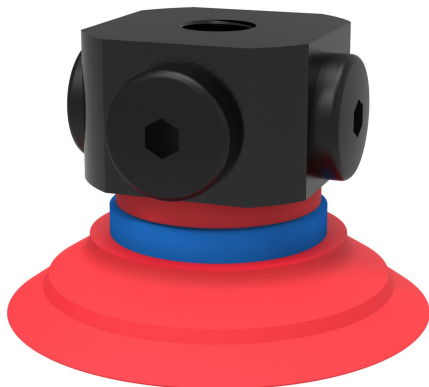


## Datasheet

# Suction cup F50-2 Silicone, 5x1/8" NPSF female, with dual flow control valve

Item number: F50-2.20.05DF



- FDA/EU compliant silicone for regulated industries
- Flat design for secure, stable handling
- Resistant to chemicals and high temperatures
- Hygienic and easy to clean
- Ideal for food, pharma, and sensitive applications
- Recommended when the lifting force is parallel to the surface of the object.

### Technical data

Description	Unit	Value
Suction cup shape	-	Flat
Suction cup design	-	Round
Characteristics (for filtering)	-	High/low temp cup (plastic)
Material	-	Silicone (SIL)
Weight, min.	oz	0.49
Suction cup model	-	F
Volume	in <sup>3</sup>	0.61
Leakage flow, max.	scfm	0.34
Height	in	1.4
Outer diameter, min.	in	2.087
Fitting size	-	1/8"
Fitting option	-	Dual flow control valve
Fitting style	-	Female
Fitting type	-	NPSF-thread
Valve restriction	in	0.039
Fitting material	-	Al
Suction cup model	-	F50-2
Movement, vertical max.	in	0.087
Curve radius, min.	in	2.17

### Performance - Lifting forces

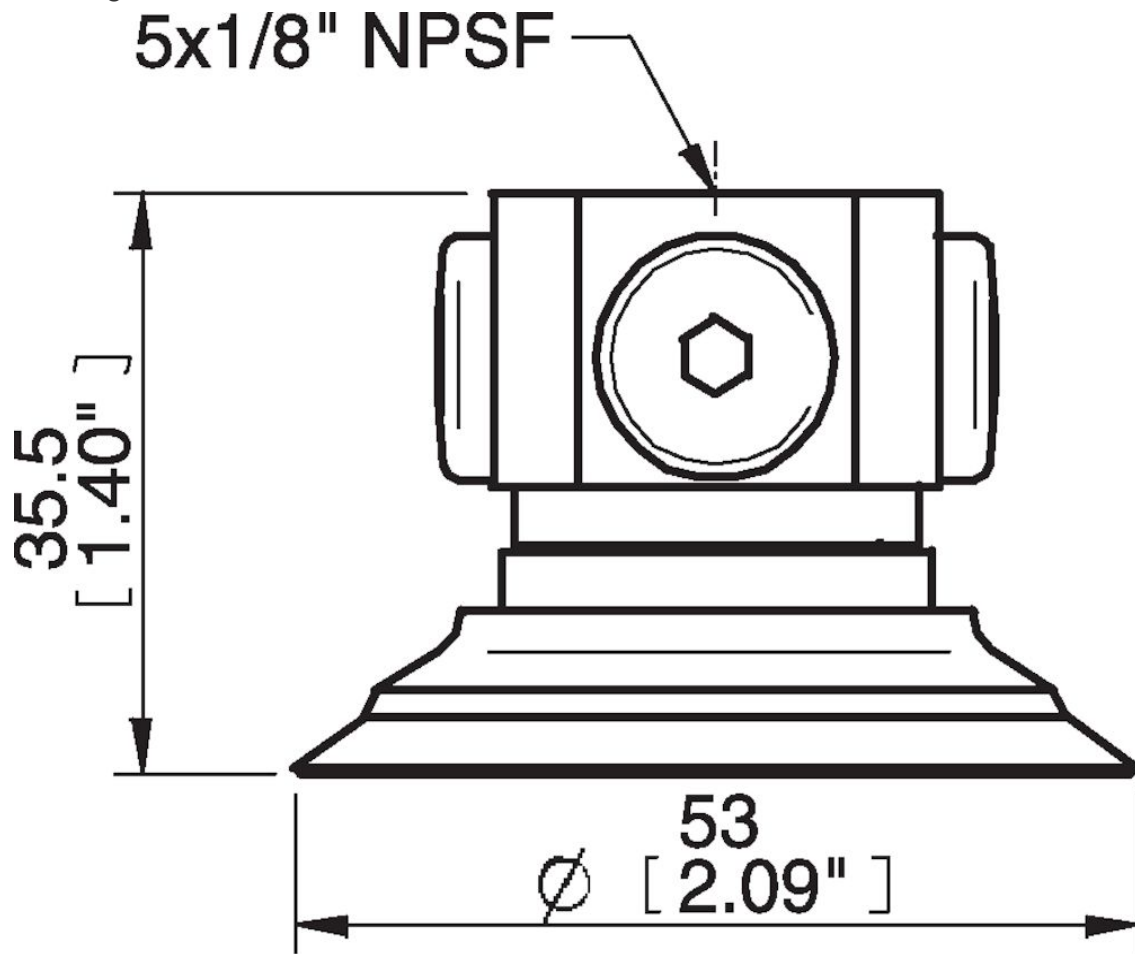
F50-2	Vertical (lb)	Parallel (lb)
5.91 -inHg	8.093	5.4
17.72 -inHg	16.64	8.99
26.58 -inHg	21.58	11.24

Material	
Name	Silicone. SIL 50° Shore A
Color	Red
Temperature, min.   °F	-40
Temperature max.   °F	392
Hardness   °Shore A	50

#### Material resistance

Alcohol	Good
Concentrated acids	Poor
Ethanol	Not applicable
Hydrolysis	Fair
Methanol	Not applicable
Oil	Poor
Oxidation	Excellent
Gasoline	Poor
Wear resistance	Good
Weather and ozone	Excellent

#### Dimensional drawings



Values specified in this data sheet are tested at (unless otherwise stated):

- Room temperature (20°C [68°F] ± 3°C [5.5°F]).
- Standard atmosphere (101.3 [29.9 inHg] ± 1.0 kPa [0.3 inHg]).
- Relative humidity 20-70%.
- Compressed air quality, DIN ISO 8573-1 class 4.

**Accessories**

05AF | Fitting 5x1/8" NPSF female, 50  
F50-2.30 | Suction cup F50-2 Nitrile-PVC  
05AG | Fitting 1/8" NPSF female, 50, with mesh filter  
05UV | Fitting 1/8" NPSF female, 50, with cone valve  
F50-2.37 | Suction cup F50-2 HNBR  
05CA | Fitting 1/8" NPSF female, 50, PA  
05AA | Fitting 1/8" NPSF female, 50  
05AD | Fitting G3/8" male, 50, with mesh filter  
05AE | Fitting 3/8" NPT male, with mesh filter  
05AB | Fitting G1/4" male, 50, with mesh filter  
05AC | Fitting 1/4" NPT male, with mesh filter  
05DA | Fitting 1/8" NPSF female, 50, with dual flow control valve  
05DB | Fitting G1/4" male, with dual flow control valve  
05DC | Fitting 1/4" NPT male, with dual flow control valve  
05DD | Fitting G3/8" male, 50, with mesh filter and dual flow control valve  
05DE | Fitting 3/8" NPT male, with dual flow control valve  
31.50.241P | Suction cup F50-2 Nitrile-PVC  
31.50.241S | Suction cup F50-2 Silicone, for fitting with cone valve

**Spare parts**

F50-2.20 | Suction cup F50-2 Silicone  
05DF | Fitting 5x1/8" NPSF female, 50, with dual flow control valve