

Datasheet

Suction cup F25 Silicone FCM, 1/8" NPT male, with mesh filter

Item number: F25.21.02AC



- The silicone material complies with FDA 21 CFR 177.2600 & EU 1935/2004.
- Suitable for flat objects.
- Good stability and little inherent movement.
- Recommended when the lifting force is parallel to the surface of the object.
- Cleats prevent thin, sensitive objects from being deformed and give extra friction when the lifting force is parallel.

Technical data

Description	Unit	Value
Suction cup shape	-	Flat
Suction cup design	-	Round
Characteristics (for filtering)	-	Food contact materials (FDA & EU). non-detectable. High/low temp cup (plastic)
Material	-	Silicone (SIL)
Weight, min.	oz	0.063
Suction cup model	-	F
Volume	in ³	0.067
Height	in	0.83
Outer diameter, min.	in	1.063
Fitting size	-	1/8"
Fitting option	-	Filter mesh
Fitting style	-	Male
Fitting type	-	NPT-thread
Fitting material	-	Al
Suction cup model	-	F25
Movement, vertical max.	in	0.047
Curve radius, min.	in	0.87

Performance - Lifting forces

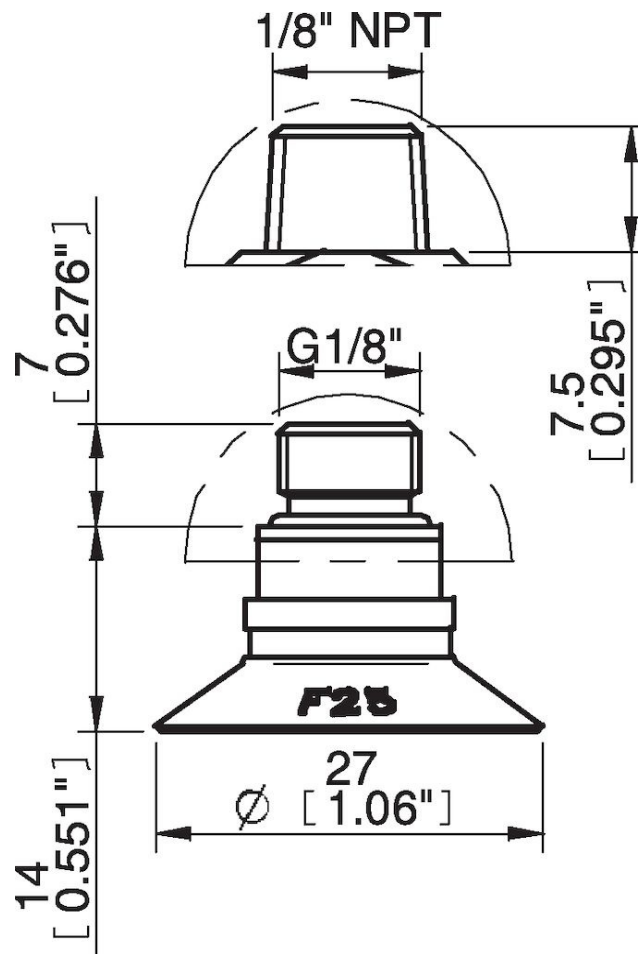
F25	Vertical (lb)	Parallel (lb)
5.91 -inHg	2.023	1.8
17.72 -inHg	4.38	2.023
26.58 -inHg	5.62	2.25

Material	
Name	Silicone (SIL FDA) 50° Shore
Color	Transparent
Temperature, min. °F	-40
Temperature max. °F	392
Hardness °Shore A	50

Material resistance

Alcohol	Good
Concentrated acids	Poor
Ethanol	Not applicable
Hydrolysis	Fair
Methanol	Not applicable
Oil	Poor
Oxidation	Excellent
Gasoline	Poor
Wear resistance	Good
Weather and ozone	Excellent

Dimensional drawings



Values specified in this data sheet are tested at (unless otherwise stated):

- Room temperature (20°C [68°F] ± 3°C [5.5°F]).
- Standard atmosphere (101.3 [29.9 inHg] ± 1.0 kPa [0.3 inHg]).
- Relative humidity 20-70%.
- Compressed air quality, DIN ISO 8573-1 class 4.

Accessories

- O2AF | Fitting G1/8" male/M5 female, with mesh filter
- O2AB | Fitting G1/8" male, with mesh filter

Spare parts

- F25.21 | Suction cup F25 Silicone FCM
- O2AC | Fitting 1/8" NPT male, with mesh filter