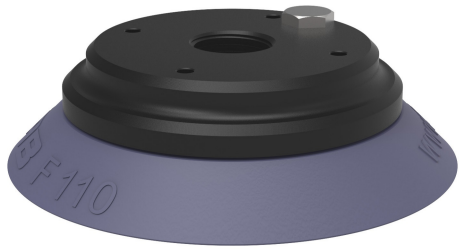


Datasheet

Suction cup F110 HNBR, G1/2" female AI, with mesh filter

Item number: F110.37.11UA



- Made from high-performance, mark free, HNBR
- Excellent resistance to heat, oil, and chemicals
- Flat design for secure, stable handling
- Recommended when the lifting force is parallel to the surface of the object.
- Reliable grip on smooth surfaces
- Ideal for automotive and heavy-duty industries

Technical data

| Description | Unit | Value |
|---------------------------------|-----------------|--|
| Suction cup shape | - | Flat |
| Suction cup design | - | Round |
| Characteristics (for filtering) | - | High/low temp cup (plastic). Mark free |
| Material | - | HNBR |
| Weight, min. | oz | 2.33 |
| Suction cup model | - | F |
| Volume | in ³ | 4.27 |
| Height | in | 1.26 |
| Outer diameter, min. | in | 4.41 |
| Fitting size | - | 1/2" |
| Fitting option | - | Filter mesh |
| Fitting style | - | Female |
| Fitting type | - | G-thread |
| Fitting material | - | AI |
| Suction cup model | - | F110 |
| Movement, vertical max. | in | 0.16 |
| Curve radius, min. | in | 9.84 |

Performance - Lifting forces

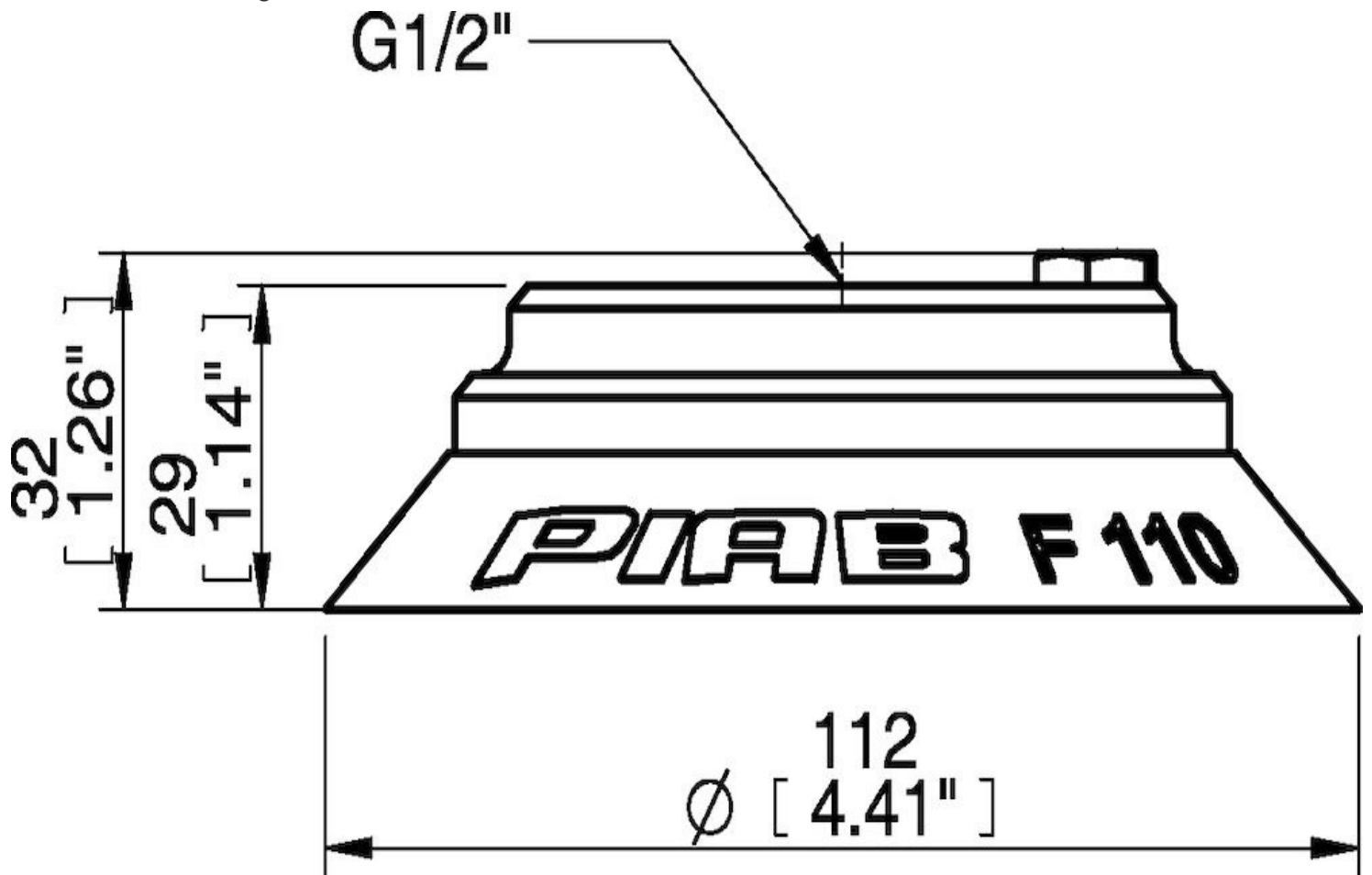
| F110 | Vertical (lb) | Parallel (lb) |
|-------------|---------------|---------------|
| 5.91 -inHg | 31.47 | 31.47 |
| 17.72 -inHg | 94.42 | 56.2 |
| 26.58 -inHg | 125.89 | 67.44 |

| Material | |
|------------------------|------------------|
| Name | HNBR 75° Shore A |
| Color | Blue/grey |
| Temperature, min. °F | -22 |
| Temperature max. °F | 284 |
| Hardness °Shore A | 75 |

Material resistance

| | |
|--------------------|----------------|
| Alcohol | Good |
| Concentrated acids | Fair |
| Ethanol | Not applicable |
| Hydrolysis | Good |
| Methanol | Not applicable |
| Oil | Excellent |
| Oxidation | Excellent |
| Gasoline | Excellent |
| Wear resistance | Excellent |
| Weather and ozone | Excellent |

Dimensional drawings



Values specified in this data sheet are tested at (unless otherwise stated):

- Room temperature (20°C [68°F] ± 3°C [5.5°F]).
- Standard atmosphere (101.3 [29.9 inHg] ± 1.0 kPa [0.3 inHg]).
- Relative humidity 20-70%.
- Compressed air quality, DIN ISO 8573-1 class 4.

Accessories

11NA | Fitting 110 G3/8" female, clamp ring with mesh filter
11NB | Fitting 110, 3/8" NPSF female, with mesh filter
11NC | Fitting 110, G1/2" female, clamp ring with mesh filter
11VC | Fitting 110, G1/2" female, with cone valve
F110.30.W | Suction cup F110 Nitrile-PVC with washer
F110.20.W | Suction cup F110 Silicone with washer
F110.37.W | Suction cup F110 HNBR with washer
F110.30 | Suction cup F110 Nitrile-PVC
F110.20 | Suction cup F110 Silicone

Spare parts

F110.37 | Suction cup F110 HNBR
11UA | Fitting G1/2" female Al, with mesh filter