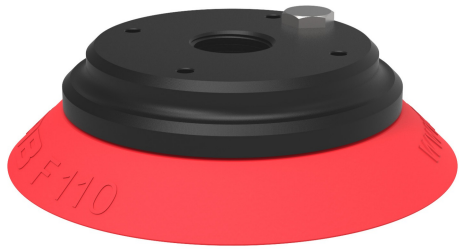


Datasheet

Suction cup F110 Silicone, G1/2" female AI, with mesh filter

Item number: F110.20.11UA



Technical data

Description	Unit	Value
Suction cup shape	-	Flat
Application	-	Dry sheet metal
Suction cup design	-	Round
Characteristics	-	Dry sheet metal
Material	-	Silicone (SIL)
Weight, max.	oz	9.19
Weight, min.	oz	2.33
Suction cup model	-	F
Volume	in ³	4.27
Height	in	1.26
Outer diameter, min.	in	4.41
Fitting size	-	1/2"
Fitting option	-	Filter mesh
Fitting style	-	Female
Fitting type	-	G-thread
Diameter	in	4.33
Thread	in	G1/2
Weight	oz	9.21
Suction cup model	-	F110
Movement, vertical max.	in	0.16
Curve radius, min.	in	9.84

Performance - Lifting forces

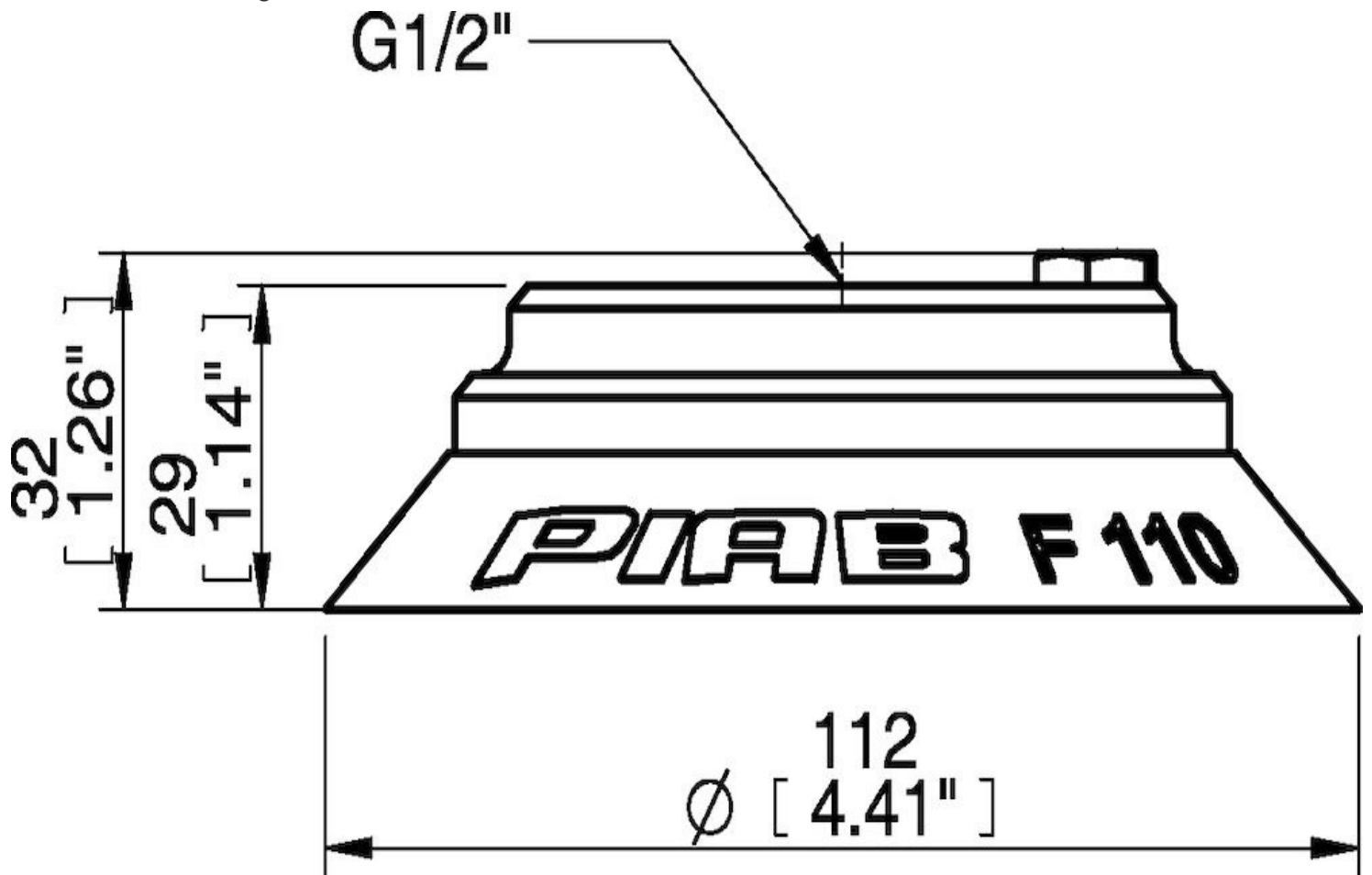
F110	Vertical (lb)	Parallel (lb)
5.91 -inHg	31.47	31.47
17.72 -inHg	94.42	56.20
26.58 -inHg	125.89	67.44

Material	
Name	Silicone, SIL 50° Shore A
Color	Red
Temperature, min. °F	-40.0
Temperature max. °F	392.0
Hardness °Shore A	50

Material resistance

Alcohol	Good
Concentrated acids	Poor
Ethanol	n/a
Hydrolysis	Fair
Methanol	n/a
Oil	Poor
Oxidation	Excellent
Gasoline	Poor
Wear resistance	Good
Weather and ozone	Excellent

Dimensional drawings



Values specified in this data sheet are tested at (unless otherwise stated):

- Room temperature (20°C [68°F] ± 3°C [5.5°F]).
- Standard atmosphere (101.3 [29.9 inHg] ± 1.0 kPa [0.3 inHg]).
- Relative humidity 20-70%.
- Compressed air quality, DIN ISO 8573-1 class 4.

Accessories

11NA | Fitting 110 G3/8" female, clamp ring with mesh filter
11NB | Fitting 110, 3/8" NPSF female, with mesh filter
11NC | Fitting 110, G1/2" female, clamp ring with mesh filter
11VC | Fitting 110, G1/2" female, with cone valve
F110.30.W | Suction cup F110 Nitrile-PVC with washer
F110.20.W | Suction cup F110 Silicone with washer
F110.37.W | Suction cup F110 HNBR with washer
F110.30 | Suction cup F110 Nitrile-PVC
F110.37 | Suction cup F110 HNBR

Spare parts

F110.20 | Suction cup F110 Silicone
11UA | Fitting G1/2" female Al, with mesh filter