

Datasheet

Suction cup D20-2 Silicone FCM, 1/8" NPT male, with mesh filter

Item number: D20-2.21.02AC



- The silicone material complies with FDA 21 CFR 177.2600 & EU 1935/2004 & EU 1935/2004.
- Suitable for objects with curved or irregular surfaces.
- Grips around corners and edges.

Technical data

Description	Unit	Value
Suction cup shape	-	Deep
Suction cup design	-	Round
Characteristics (for filtering)	-	Food contact materials (FDA & EU). non-detectable. High/low temp cup (plastic)
Material	-	Silicone (SIL)
Weight, min.	oz	0.078
Suction cup model	-	D
Volume	in ³	0.15
Height	in	0.99
Outer diameter, min.	in	0.87
Fitting size	-	1/8"
Fitting option	-	Filter mesh
Fitting style	-	Male
Fitting type	-	NPT-thread
Fitting material	-	Al
Suction cup model	-	D20-2
Movement, vertical max.	in	0.11
Curve radius, min.	in	0.31

Performance - Lifting forces

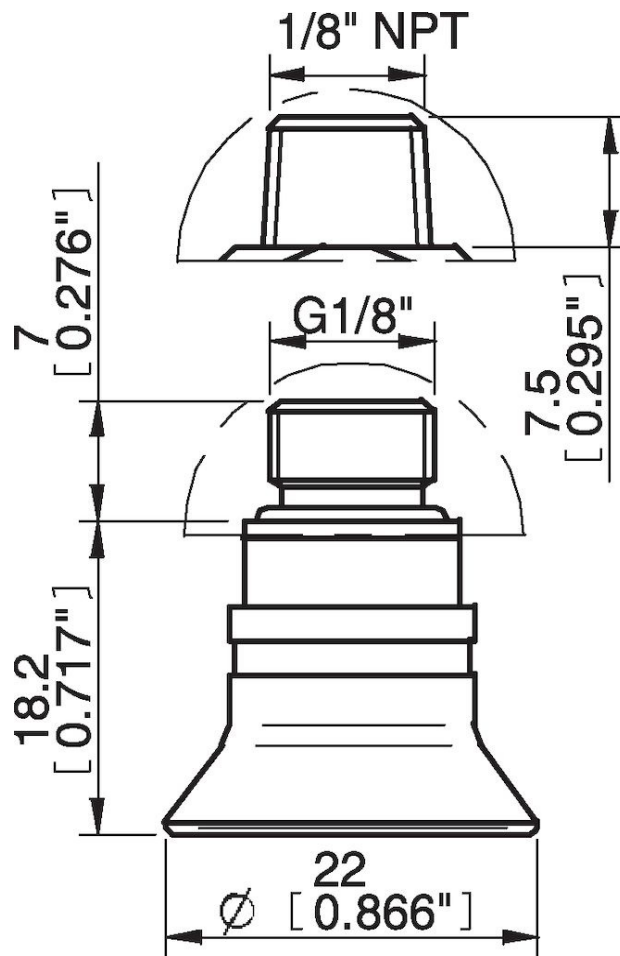
D20-2	Vertical (lb)	Parallel (lb)
5.91 -inHg	1.33	1.12
17.72 -inHg	3.37	1.8
26.58 -inHg	4.047	1.91

Material	
Name	Silicone (SIL FDA) 50° Shore
Color	Transparent
Temperature, min. °F	-40
Temperature max. °F	392
Hardness °Shore A	50

Material resistance

Alcohol	Good
Concentrated acids	Poor
Ethanol	Not applicable
Hydrolysis	Fair
Methanol	Not applicable
Oil	Poor
Oxidation	Excellent
Gasoline	Poor
Wear resistance	Good
Weather and ozone	Excellent

Dimensional drawings



Values specified in this data sheet are tested at (unless otherwise stated):

- Room temperature (20°C [68°F] ± 3°C [5.5°F]).
- Standard atmosphere (101.3 [29.9 inHg] ± 1.0 kPa [0.3 inHg]).
- Relative humidity 20-70%.
- Compressed air quality, DIN ISO 8573-1 class 4.