

Datasheet

Suction cup D20-2 Silicone, 1/8" NPT male, with dual flow control valve

Item number: D20-2.20.02DC



- Suitable for objects with curved or irregular surfaces
- Grips around corners and edges.

Technical data

Description	Unit	Value
Suction cup shape	-	Deep
Suction cup design	-	Round
Characteristics (for filtering)	-	High/low temp cup (plastic)
Material	-	Silicone (SIL)
Weight, min.	oz	0.078
Suction cup model	-	D
Volume	in ³	0.15
Height	in	0.99
Outer diameter, min.	in	0.87
Fitting size	-	1/8"
Fitting option	-	Dual flow control valve
Fitting style	-	Male
Fitting type	-	NPT-thread
Fitting material	-	Al
Suction cup model	-	D20-2
Movement, vertical max.	in	0.11
Curve radius, min.	in	0.31

Performance - Lifting forces

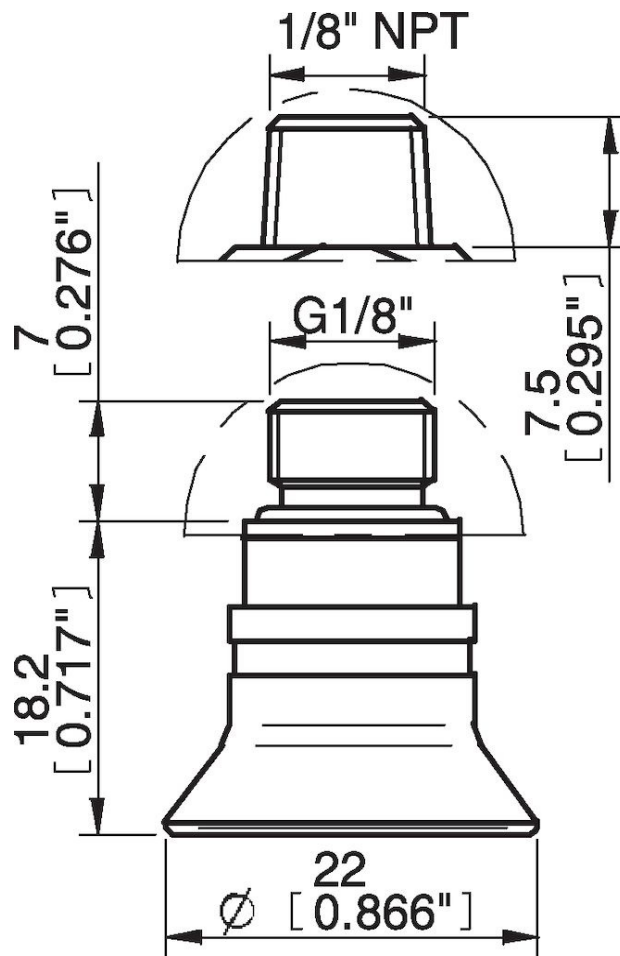
D20-2	Vertical (lb)	Parallel (lb)
5.91 -inHg	1.33	1.12
17.72 -inHg	3.37	1.8
26.58 -inHg	4.047	1.91

Material	
Name	Silicone. SIL 50° Shore A
Color	Red
Temperature, min. °F	-40
Temperature max. °F	392
Hardness °Shore A	50

Material resistance

Alcohol	Good
Concentrated acids	Poor
Ethanol	Not applicable
Hydrolysis	Fair
Methanol	Not applicable
Oil	Poor
Oxidation	Excellent
Gasoline	Poor
Wear resistance	Good
Weather and ozone	Excellent

Dimensional drawings



Values specified in this data sheet are tested at (unless otherwise stated):

- Room temperature (20°C [68°F] ± 3°C [5.5°F]).
- Standard atmosphere (101.3 [29.9 inHg] ± 1.0 kPa [0.3 inHg]).
- Relative humidity 20-70%.
- Compressed air quality, DIN ISO 8573-1 class 4.

Accessories

02AE | Fitting 5xM5 female

D20-2.10 | Suction cup D20-2 Chloroprene

02AF | Fitting G1/8" male/M5 female, with mesh filter

02CD | Fitting G1/8" male/M5 female, PA

02AA | Fitting M5 female

02AD | Fitting G1/8" male/M5 female

02AB | Fitting G1/8" male, with mesh filter

02AC | Fitting 1/8" NPT male, with mesh filter

02DA | Fitting M5 female, with dual flow control valve

02DD | Fitting G1/8" male/M5 female, with dual flow control valve

02DE | Fitting 5xM5 female, with dual flow control valve

Spare parts

D20-2.20 | Suction cup D20-2 Silicone

02DC | Fitting 1/8" NPT male, with dual flow control valve