

Datasheet

Suction cup BX35P Polyurethane 30/60 with filter, G1/4" male, with dual flow control valve

Item number: BX35P.4K.04DB.F



- Suitable for level adjustment and for uneven and porous surfaces such as cardboard, etc.
- In the two-colored suction cup the bellows and the sealing lip are of different hardnesses, which makes the suction cup strong and stable and, at the same time, soft and flexible.
- DURAFLEX® suction cups manufactured in a specially developed material that features the elasticity of rubber and wear resistance of polyurethane.
- The material DURAFLEX® is mark free.

Technical data

Description	Unit	Value
Suction cup shape	-	Multibellows
Suction cup design	-	Round
Characteristics (for filtering)	-	Mark free
Material	-	Polyurethane (PU)
Weight, min.	oz	0.28
Suction cup model	-	BX-P
Volume	in ³	0.61
Leakage flow, max.	scfm	0.28
Height	in	1.65
Outer diameter, min.	in	1.46
Fitting size	-	1/4"
Fitting option	-	Filter. Dual flow control valve
Fitting style	-	Male
Fitting type	-	G-thread
Valve restriction	in	0.035
Fitting material	-	Al
Suction cup model	-	BX35P PU30 PU60
Movement, vertical max.	in	0.55
Curve radius, min.	in	0.39

Performance - Lifting forces

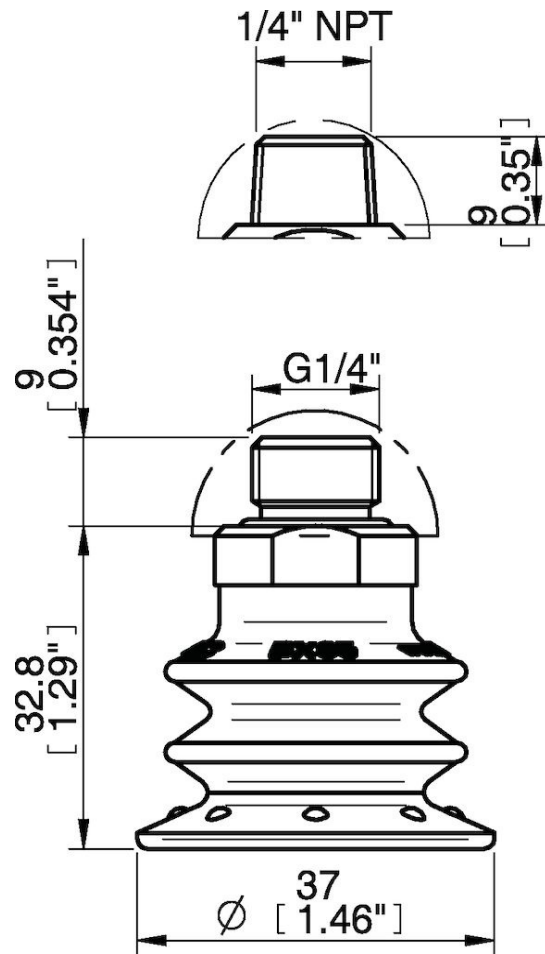
BX35P PU30 PU60	Vertical (lb)	Parallel (lb)
5.91 -inHg	2.7	2.47
17.72 -inHg	4.5	4.27
26.58 -inHg	6.29	5.85

Material		
Name	Polyurethane (PU30)	Polyurethane (PU60)
Color	Yellow	Green transparent
Temperature, min. °F	50	50
Temperature max. °F	122	122
Hardness °Shore A	30	60

Material resistance

Alcohol	Not applicable	Not applicable
Concentrated acids	Fair	Fair
Ethanol	Fair	Fair
Hydrolysis	Fair	Fair
Methanol	Poor	Poor
Oil	Excellent	Excellent
Oxidation	Poor	Poor
Gasoline	Fair	Fair
Wear resistance	Excellent	Excellent
Weather and ozone	Excellent	Excellent

Dimensional drawings



Values specified in this data sheet are tested at (unless otherwise stated):

- Room temperature (20°C [68°F] ± 3°C [5.5°F]).
- Standard atmosphere (101.3 [29.9 inHg] ± 1.0 kPa [0.3 inHg]).
- Relative humidity 20-70%.
- Compressed air quality, DIN ISO 8573-1 class 4.

Accessories

04AG | Fitting 1/8" NPSF female, 30–40, with mesh filter
BX35P.4K | Suction cup BX35P Polyurethane 30/60
BX35P.4E.F | Suction cup BX35P Polyurethane 60, with filter
BX35P.4E | Suction cup BX35P Polyurethane 60
04AI | Fitting G1/8" male, 40, with mesh filter
04AA | Fitting 1/8" NPSF female, 30–40
04AD | Fitting G3/8" male, 30–40, with mesh filter
04AE | Fitting 3/8" NPT male, with mesh filter
04AB | Fitting G1/4" male, 30–40, with mesh filter
04AC | Fitting 1/4" NPT male, with mesh filter
04DA | Fitting 1/8" NPSF female, 30–40, with dual flow control valve
04DC | Fitting 1/4" NPT male, with dual flow control valve
04DD | Fitting G3/8" male, 30–40, with dual flow control valve
04DE | Fitting 3/8" NPT male, with dual flow control valve

Spare parts

BX35P.4K.F | Suction cup BX35P Polyurethane 30/60, with filter
04DB | Fitting G1/4" male, 30–40, with dual flow control valve
02.01.001 | Filter support ring Ø25 mm BX35P, 10 pcs