

## Datasheet

# Suction cup BX25P Polyurethane 30/60 with filter, G1/8" male, with dual flow control valve

Item number: BX25P.4K.02DB.F



- Suitable for level adjustment and for uneven and porous surfaces such as cardboard, etc.
- In the two-colored suction cup the bellows and the sealing lip are of different hardnesses, which makes the suction cup strong and stable and, at the same time, soft and flexible.
- DURAFLEX® suction cups manufactured in a specially developed material that features the elasticity of rubber and wear resistance of polyurethane.
- The material DURAFLEX® is mark free.

### Technical data

Description	Unit	Value
Suction cup shape	-	Multibellows
Suction cup design	-	Round
Characteristics (for filtering)	-	Mark free
Material	-	Polyurethane (PU)
Weight, min.	oz	0.11
Suction cup model	-	BX-P
Volume	in <sup>3</sup>	0.18
Leakage flow, max.	scfm	0.13
Height	in	1.22
Outer diameter, min.	in	1.024
Fitting size	-	1/8"
Fitting option	-	Dual flow control valve
Fitting style	-	Male
Fitting type	-	G-thread
Valve restriction	in	0.028
Restricted vacuum flow	scfm	1.48
Fitting material	-	Al
Suction cup model	-	BX25P PU30 PU60
Movement, vertical max.	in	0.33
Curve radius, min.	in	0.24

### Performance - Lifting forces

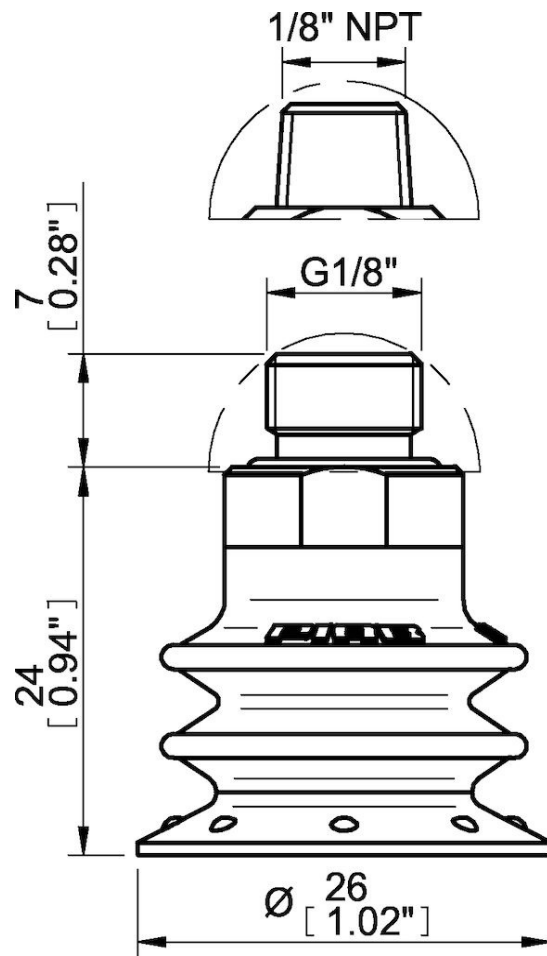
BX25P PU30 PU60	Vertical (lb)	Parallel (lb)
5.91 -inHg	1.8	1.12
17.72 -inHg	2.92	2.25
26.58 -inHg	3.82	2.7

Material		
Name	Polyurethane (PU30)	Polyurethane (PU60)
Color	Yellow	Green transparent
Temperature, min.   °F	50	50
Temperature max.   °F	122	122
Hardness   °Shore A	30	60

### Material resistance

Alcohol	Not applicable	Not applicable
Concentrated acids	Fair	Fair
Ethanol	Fair	Fair
Hydrolysis	Fair	Fair
Methanol	Poor	Poor
Oil	Excellent	Excellent
Oxidation	Poor	Poor
Gasoline	Fair	Fair
Wear resistance	Excellent	Excellent
Weather and ozone	Excellent	Excellent

### Dimensional drawings



Values specified in this data sheet are tested at (unless otherwise stated):

- Room temperature (20°C [68°F] ± 3°C [5.5°F]).
- Standard atmosphere (101.3 [29.9 inHg] ± 1.0 kPa [0.3 inHg]).
- Relative humidity 20-70%.
- Compressed air quality, DIN ISO 8573-1 class 4.

**Accessories**

02AE | Fitting 5xM5 female

02AF | Fitting G1/8" male/M5 female, with mesh filter

BX25P.4E | Suction cup BX25P Polyurethane 60

BX25P.4K | Suction cup BX25P Polyurethane 30/60

BX25P.4E.F | Suction cup BX25P Polyurethane 60, with filter

02AA | Fitting M5 female

02AD | Fitting G1/8" male/M5 female

02AB | Fitting G1/8" male, with mesh filter

02AC | Fitting 1/8" NPT male, with mesh filter

02DA | Fitting M5 female, with dual flow control valve

02DC | Fitting 1/8" NPT male, with dual flow control valve

02DD | Fitting G1/8" male/M5 female, with dual flow control valve

02DE | Fitting 5xM5 female, with dual flow control valve

**Spare parts**

BX25P.4K.F | Suction cup BX25P Polyurethane 30/60, with filter

02.01.000 | Filter support ring Ø20 mm BX25P, 10 pcs