

## Datasheet

# Suction cup BX25P Polyurethane 60 with filter, G1/8" male, with dual flow control valve

Item number: BX25P.4E.02DB.F



- Suitable for level adjustment and for uneven and porous surfaces such as cardboard, etc.
- In the two-colored suction cup the bellows and the sealing lip are of different hardnesses, which makes the suction cup strong and stable and, at the same time, soft and flexible.
- DURAFLEX® suction cups manufactured in a specially developed material that features the elasticity of rubber and wear resistance of polyurethane.
- The material DURAFLEX® is mark free.

### Technical data

Description	Unit	Value
Suction cup shape	-	Multibellows
Suction cup design	-	Round
Characteristics (for filtering)	-	Mark free
Material	-	Polyurethane (PU)
Weight, min.	oz	0.11
Suction cup model	-	BX-P
Volume	in <sup>3</sup>	0.18
Leakage flow, max.	scfm	0.13
Height	in	1.22
Outer diameter, min.	in	1.024
Fitting size	-	1/8"
Fitting option	-	Dual flow control valve
Fitting style	-	Male
Fitting type	-	G-thread
Valve restriction	in	0.028
Restricted vacuum flow	scfm	1.48
Fitting material	-	Al
Suction cup model	-	BX25P PU60
Movement, vertical max.	in	0.33
Curve radius, min.	in	0.31

### Performance - Lifting forces

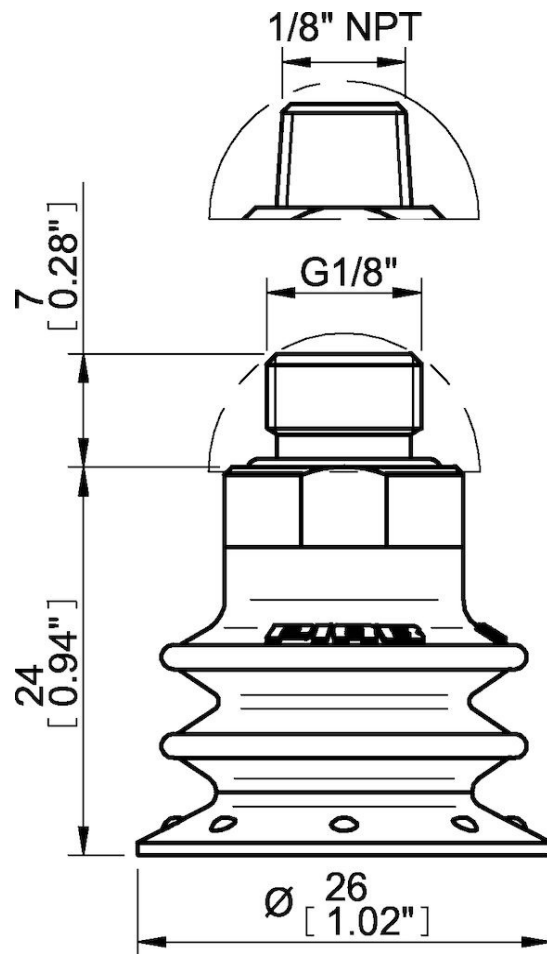
BX25P PU60	Vertical (lb)	Parallel (lb)
5.91 -inHg	2.023	1.57
17.72 -inHg	3.15	2.47
26.58 -inHg	4.047	3.15

Material	
Name	Polyurethane (PU60)
Color	Green transparent
Temperature, min.   °F	50
Temperature max.   °F	122
Hardness   °Shore A	60

### Material resistance

Alcohol	Not applicable
Concentrated acids	Fair
Ethanol	Fair
Hydrolysis	Fair
Methanol	Poor
Oil	Excellent
Oxidation	Poor
Gasoline	Fair
Wear resistance	Excellent
Weather and ozone	Excellent

### Dimensional drawings



Values specified in this data sheet are tested at (unless otherwise stated):

- Room temperature (20°C [68°F] ± 3°C [5.5°F]).
- Standard atmosphere (101.3 [29.9 inHg] ± 1.0 kPa [0.3 inHg]).
- Relative humidity 20-70%.
- Compressed air quality, DIN ISO 8573-1 class 4.

**Accessories**

02AE | Fitting 5xM5 female

02AF | Fitting G1/8" male/M5 female, with mesh filter

BX25P.4E | Suction cup BX25P Polyurethane 60

BX25P.4K | Suction cup BX25P Polyurethane 30/60

BX25P.4K.F | Suction cup BX25P Polyurethane 30/60, with filter

02AA | Fitting M5 female

02AD | Fitting G1/8" male/M5 female

02AB | Fitting G1/8" male, with mesh filter

02AC | Fitting 1/8" NPT male, with mesh filter

02DA | Fitting M5 female, with dual flow control valve

02DC | Fitting 1/8" NPT male, with dual flow control valve

02DD | Fitting G1/8" male/M5 female, with dual flow control valve

02DE | Fitting 5xM5 female, with dual flow control valve

**Spare parts**

BX25P.4E.F | Suction cup BX25P Polyurethane 60, with filter

02.01.000 | Filter support ring Ø20 mm BX25P, 10 pcs