

Datasheet

Suction cup BL50-2 Silicone FCM, 1/4" NPT male, with mesh filter

Item number: BL50-2.21.05AC



- The silicone material complies with FDA 21 CFR 177.2600 & EU 1935/2004.
- Suitable for level adjustment.
- Lifting movement to separate small and thin objects.
- Less suitable when the lifting force is parallel to the surface of the object.

Technical data

Description	Unit	Value
Suction cup shape	-	Multibellows
Suction cup design	-	Round
Characteristics (for filtering)	-	Food contact materials (FDA & EU). non-detectable. High/low temp cup (plastic)
Material	-	Silicone (SIL)
Weight, min.	oz	0.71
Suction cup model	-	BL-2
Volume	in ³	3.23
Height	in	2.68
Outer diameter, min.	in	1.89
Fitting size	-	1/4"
Fitting option	-	Filter mesh
Fitting style	-	Male
Fitting type	-	NPT-thread
Fitting material	-	Al
Suction cup model	-	BL50-2 reinforcement ring
Movement, vertical max.	in	1.18
Suction cup model	-	BL50-2
Movement, vertical max.	in	1.18
Curve radius, min.	in	0.51

Performance - Lifting forces

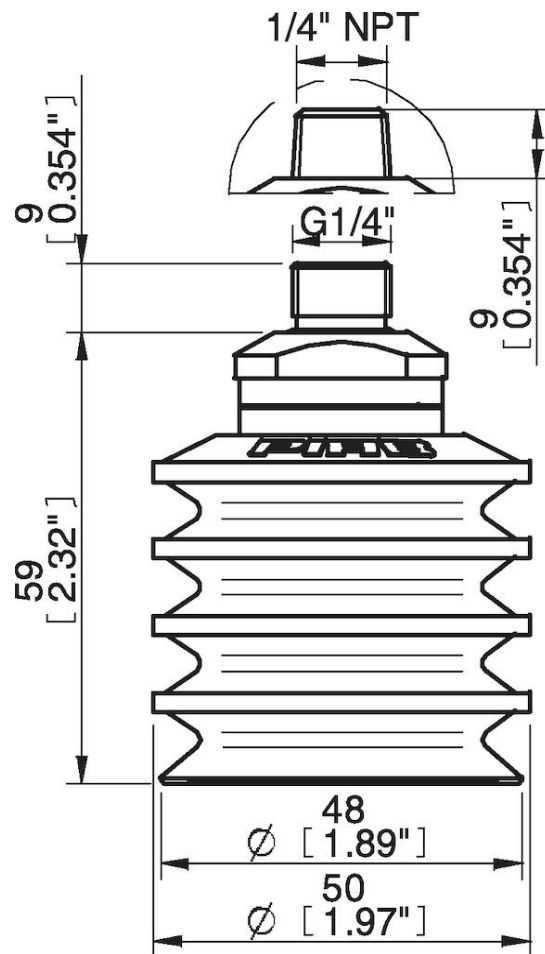
	Vertical (lb)	Parallel (lb)
BL50-2 reinforcement ring		
5.91 -inHg	3.82	
17.72 -inHg	9.67	
BL50-2		
5.91 -inHg	4.72	
17.72 -inHg	10.79	

Material	Silicone (SIL FDA) 50° Shore
Name	Silicone (SIL FDA) 50° Shore
Color	Transparent
Temperature, min. °F	-40
Temperature max. °F	392
Hardness °Shore A	50

Material resistance

Alcohol	Good
Concentrated acids	Poor
Ethanol	Not applicable
Hydrolysis	Fair
Methanol	Not applicable
Oil	Poor
Oxidation	Excellent
Gasoline	Poor
Wear resistance	Good
Weather and ozone	Excellent

Dimensional drawings



Values specified in this data sheet are tested at (unless otherwise stated):

- Room temperature (20°C [68°F] ± 3°C [5.5°F]).
- Standard atmosphere (101.3 [29.9 inHg] ± 1.0 kPa [0.3 inHg]).
- Relative humidity 20-70%.
- Compressed air quality, DIN ISO 8573-1 class 4.

Accessories

- 05AG | Fitting 1/8" NPSF female, 50, with mesh filter
- 05AB | Fitting G1/4" male, 50, with mesh filter

Spare parts

- BL50-2.21 | Suction cup BL50-2 Silicone FCM
- 05AC | Fitting 1/4" NPT male, with mesh filter