

Datasheet

Suction cup BL40-2 Silicone, 5x1/8" NPSF female, with dual flow control valve

Item number: BL40-2.20.04DF



- Optimized for high-flow bag handling
- Made from durable, high-quality silicone, allowing a wide temperature range
- Secure, non-damaging grip on bags
- Suitable for level adjustment.
- Lifting movement to separate small and thin objects.
- Less suitable when the lifting force is parallel to the surface of the object.

Technical data

Description	Unit	Value
Suction cup shape	-	Multibellows
Suction cup design	-	Round
Characteristics (for filtering)	-	High/low temp cup (plastic)
Material	-	Silicone (SIL)
Weight, min.	oz	0.35
Suction cup model	-	BL-2
Volume	in ³	1.65
Height	in	2.38
Outer diameter, min.	in	1.57
Fitting size	-	1/8"
Fitting option	-	Dual flow control valve
Fitting style	-	Female
Fitting type	-	NPSF-thread
Fitting material	-	Al
Suction cup model	-	BL40-2 reinforcement ring
Movement, vertical max.	in	1.063
Suction cup model	-	BL40-2
Movement, vertical max.	in	1.063
Curve radius, min.	in	0.43

Performance - Lifting forces

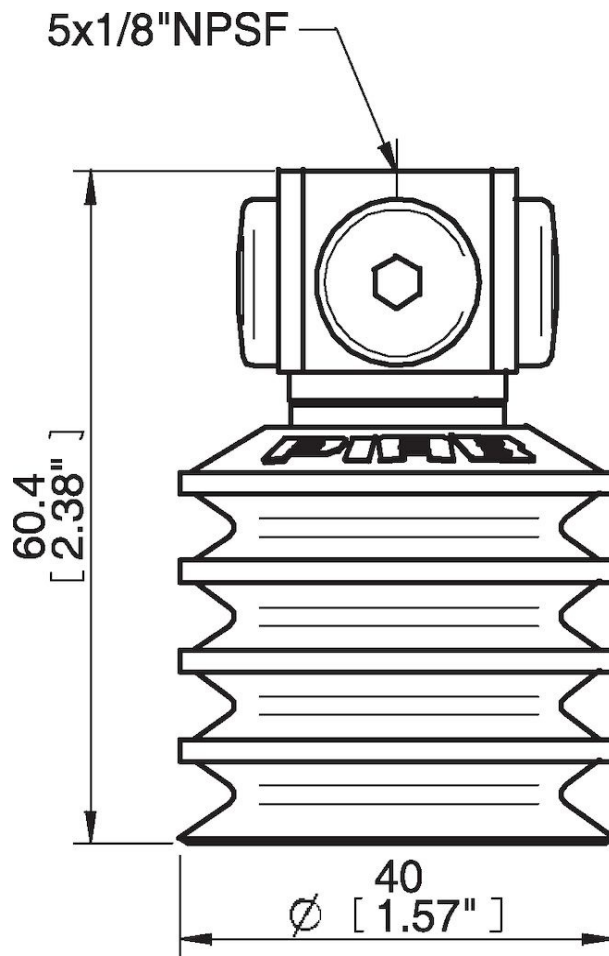
BL40-2 reinforcement ring	Vertical (lb)	Parallel (lb)
5.91 -inHg	2.47	
17.72 -inHg	4.95	
BL40-2		
5.91 -inHg	2.47	
17.72 -inHg	6.74	

Material	
Name	Silicone. SIL 50° Shore A
Color	Red
Temperature, min. °F	-40
Temperature max. °F	392
Hardness °Shore A	50

Material resistance

Alcohol	Good
Concentrated acids	Poor
Ethanol	Not applicable
Hydrolysis	Fair
Methanol	Not applicable
Oil	Poor
Oxidation	Excellent
Gasoline	Poor
Wear resistance	Good
Weather and ozone	Excellent

Dimensional drawings



Values specified in this data sheet are tested at (unless otherwise stated):

- Room temperature (20°C [68°F] ± 3°C [5.5°F]).
- Standard atmosphere (101.3 [29.9 inHg] ± 1.0 kPa [0.3 inHg]).
- Relative humidity 20-70%.
- Compressed air quality, DIN ISO 8573-1 class 4.

Accessories

04AF | Fitting 5x1/8" NPSF female, 30–40
BL40-2.10 | Suction cup BL40-2 Chloroprene
04AG | Fitting 1/8" NPSF female, 30–40, with mesh filter
04AI | Fitting G1/8" male, 40, with mesh filter
04CA | Fitting 1/8" NPSF female, 30–40, PA
04AA | Fitting 1/8" NPSF female, 30–40
04AD | Fitting G3/8" male, 30–40, with mesh filter
04AE | Fitting 3/8" NPT male, with mesh filter
04AB | Fitting G1/4" male, 30–40, with mesh filter
04AC | Fitting 1/4" NPT male, with mesh filter
04DA | Fitting 1/8" NPSF female, 30–40, with dual flow control valve
04DB | Fitting G1/4" male, 30–40, with dual flow control valve
04DC | Fitting 1/4" NPT male, with dual flow control valve
04DD | Fitting G3/8" male, 30–40, with dual flow control valve
04DE | Fitting 3/8" NPT male, with dual flow control valve
31.50.073 | Strengthening ring set BL40, Set of 4

Spare parts

BL40-2.20 | Suction cup BL40-2 Silicone
04DF | Fitting 5x1/8" NPSF female, 30–40, with dual flow control valve