

# Datasheet

## Suction cup BL40-2 Silicone, G3/8" male, with dual flow control valve

Item number: BL40-2.20.04DD



- Optimized for high-flow bag handling
- Made from durable, high-quality silicone, allowing a wide temperature range
- Secure, non-damaging grip on bags
- Suitable for level adjustment.
- Lifting movement to separate small and thin objects.
- Less suitable when the lifting force is parallel to the surface of the object.

### Technical data

Description	Unit	Value
Suction cup shape	-	Multibellows
Suction cup design	-	Round
Characteristics (for filtering)	-	High/low temp cup (plastic)
Material	-	Silicone (SIL)
Weight, min.	oz	0.35
Suction cup model	-	BL-2
Volume	in <sup>3</sup>	1.65
Height	in	2.3
Outer diameter, min.	in	1.57
Fitting size	-	3/8"
Fitting option	-	Dual flow control valve. Filter mesh
Fitting style	-	Male
Fitting type	-	G-thread
Fitting material	-	Al
Suction cup model	-	BL40-2 reinforcement ring
Movement, vertical max.	in	1.063
Suction cup model	-	BL40-2
Movement, vertical max.	in	1.063
Curve radius, min.	in	0.43

### Performance - Lifting forces

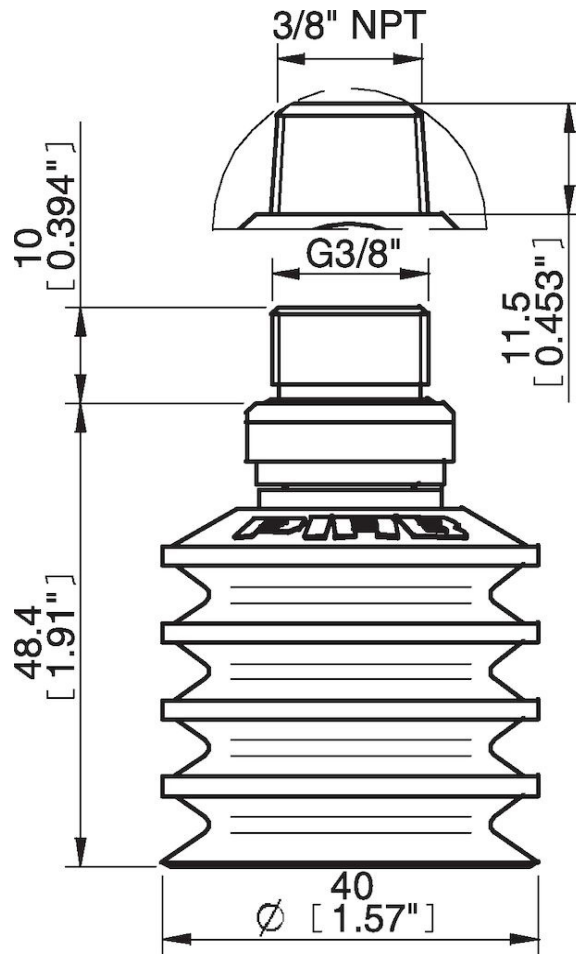
BL40-2 reinforcement ring	Vertical (lb)	Parallel (lb)
5.91 -inHg	2.47	
17.72 -inHg	4.95	
BL40-2		
5.91 -inHg	2.47	
17.72 -inHg	6.74	

Material	
Name	Silicone. SIL 50° Shore A
Color	Red
Temperature, min.   °F	-40
Temperature max.   °F	392
Hardness   °Shore A	50

### Material resistance

Alcohol	Good
Concentrated acids	Poor
Ethanol	Not applicable
Hydrolysis	Fair
Methanol	Not applicable
Oil	Poor
Oxidation	Excellent
Gasoline	Poor
Wear resistance	Good
Weather and ozone	Excellent

### Dimensional drawings



Values specified in this data sheet are tested at (unless otherwise stated):

- Room temperature (20°C [68°F] ± 3°C [5.5°F]).
- Standard atmosphere (101.3 [29.9 inHg] ± 1.0 kPa [0.3 inHg]).
- Relative humidity 20-70%.
- Compressed air quality, DIN ISO 8573-1 class 4.

**Accessories**

04AF | Fitting 5x1/8" NPSF female, 30–40  
BL40-2.10 | Suction cup BL40-2 Chloroprene  
04AG | Fitting 1/8" NPSF female, 30–40, with mesh filter  
04AI | Fitting G1/8" male, 40, with mesh filter  
04CA | Fitting 1/8" NPSF female, 30–40, PA  
04AA | Fitting 1/8" NPSF female, 30–40  
04AD | Fitting G3/8" male, 30–40, with mesh filter  
04AE | Fitting 3/8" NPT male, with mesh filter  
04AB | Fitting G1/4" male, 30–40, with mesh filter  
04AC | Fitting 1/4" NPT male, with mesh filter  
04DA | Fitting 1/8" NPSF female, 30–40, with dual flow control valve  
04DB | Fitting G1/4" male, 30–40, with dual flow control valve  
04DC | Fitting 1/4" NPT male, with dual flow control valve  
04DE | Fitting 3/8" NPT male, with dual flow control valve  
04DF | Fitting 5x1/8" NPSF female, 30–40, with dual flow control valve  
31.50.073 | Strengthening ring set BL40, Set of 4

**Spare parts**

BL40-2.20 | Suction cup BL40-2 Silicone  
04DD | Fitting G3/8" male, 30–40, with dual flow control valve