

Suction cup BL20-2 HNBR, G1/8" male/M5 female

Item number: BL20-2.47.02AD



- Optimized for high-flow bag handling
- Made from durable, high-quality HNBR, allowing a wide temperature range and mark free handling
- Secure, non-damaging grip on bags
- Suitable for level adjustment.
- Lifting movement to separate small and thin objects.
- Less suitable when the lifting force is parallel to the surface of the object.

Technical data

Description	Unit	Value
Suction cup shape	-	Multibellows
Suction cup design	-	Round
Characteristics (for filtering)	-	High/low temp cup (plastic). Mark free
Material	-	HNBR
Weight, min.	oz	0.11
Suction cup model	-	BL-2
Volume	in ³	0.24
Height	in	1.2
Outer diameter, min.	in	0.79
Fitting size	-	1/8". M5
Fitting option	-	None
Fitting style	-	Female/Male
Fitting type	-	G-thread. M-thread
Fitting material	-	Al
Suction cup model	-	BL20-2 reinforcement ring
Movement, vertical max.	in	0.5
Curve radius, min.	in	0.16
Suction cup model	-	BL20-2
Movement, vertical max.	in	0.5
Curve radius, min.	in	0.16

Performance - Lifting forces

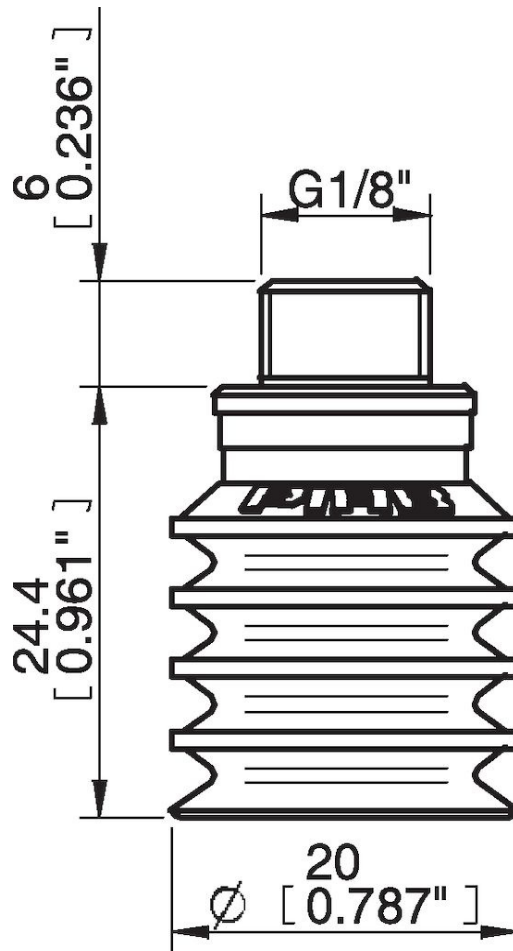
BL20-2 reinforcement ring	Vertical (lb)	Parallel (lb)
5.91 -inHg	0.74	0.83
17.72 -inHg	1.84	1.35
BL20-2		
5.91 -inHg	0.49	
17.72 -inHg	1.57	

Material	
Name	HNBR 50° Shore A
Color	Blue/grey
Temperature, min. °F	-22
Temperature max. °F	284
Hardness °Shore A	50

Material resistance

Alcohol	Good
Concentrated acids	Fair
Ethanol	Not applicable
Hydrolysis	Good
Methanol	Not applicable
Oil	Excellent
Oxidation	Excellent
Gasoline	Excellent
Wear resistance	Excellent
Weather and ozone	Excellent

Dimensional drawings



Values specified in this data sheet are tested at (unless otherwise stated):

- Room temperature (20°C [68°F] ± 3°C [5.5°F]).
- Standard atmosphere (101.3 [29.9 inHg] ± 1.0 kPa [0.3 inHg]).
- Relative humidity 20-70%.
- Compressed air quality, DIN ISO 8573-1 class 4.

Accessories

02AE | Fitting 5xM5 female

BL20-2.10 | Suction cup BL20-2 Chloroprene

BL20-2.20 | Suction cup BL20-2 Silicone

02AF | Fitting G1/8" male/M5 female, with mesh filter

02CD | Fitting G1/8" male/M5 female, PA

02AA | Fitting M5 female

02AB | Fitting G1/8" male, with mesh filter

02AC | Fitting 1/8" NPT male, with mesh filter

02DA | Fitting M5 female, with dual flow control valve

02DC | Fitting 1/8" NPT male, with dual flow control valve

02DD | Fitting G1/8" male/M5 female, with dual flow control valve

02DE | Fitting 5xM5 female, with dual flow control valve

31.50.071 | Strengthening ring set BL20, Set of 4

Spare parts

BL20-2.37 | Suction cup BL20-2 HNBR

02AD | Fitting G1/8" male/M5 female