

# Datasheet

## Suction cup BL20-2 Silicone FCM, 1/8" NPT male, with mesh filter

Item number: BL20-2.21.02AC



- The silicone material complies with FDA 21 CFR 177.2600 & EU 1935/2004.
- Suitable for level adjustment.
- Lifting movement to separate small and thin objects.
- Less suitable when the lifting force is parallel to the surface of the object.

### Technical data

Description	Unit	Value
Suction cup shape	-	Multibellows
Suction cup design	-	Round
Characteristics (for filtering)	-	Food contact materials (FDA & EU). non-detectable. High/low temp cup (plastic)
Material	-	Silicone (SIL)
Weight, min.	oz	0.11
Suction cup model	-	BL-2
Volume	in <sup>3</sup>	0.24
Height	in	1.37
Outer diameter, min.	in	0.79
Fitting size	-	1/8"
Fitting option	-	Filter mesh
Fitting style	-	Male
Fitting type	-	NPT-thread
Fitting material	-	Al
Suction cup model	-	BL20-2 reinforcement ring
Movement, vertical max.	in	0.5
Curve radius, min.	in	0.16
Suction cup model	-	BL20-2
Movement, vertical max.	in	0.5
Curve radius, min.	in	0.16

### Performance - Lifting forces

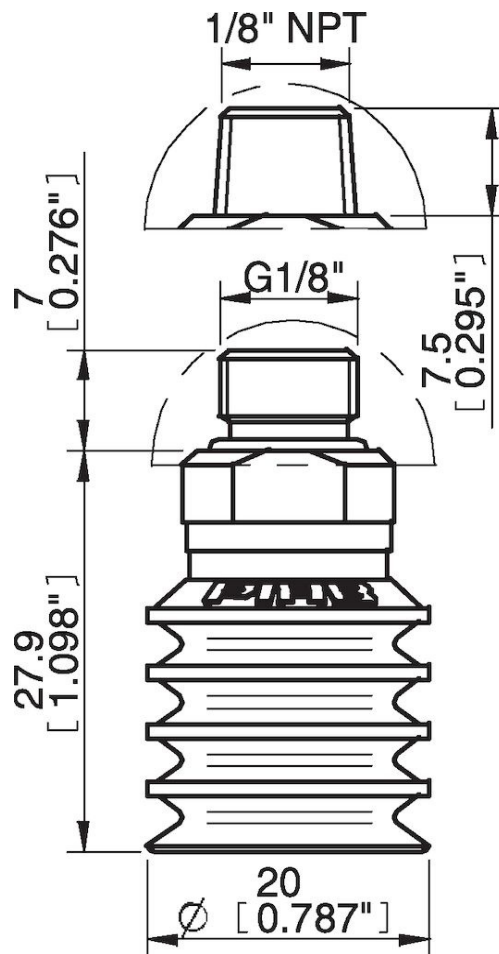
	Vertical (lb)	Parallel (lb)
BL20-2 reinforcement ring		
5.91 -inHg	0.74	0.83
17.72 -inHg	1.84	1.35
BL20-2		
5.91 -inHg	0.49	
17.72 -inHg	1.57	

<b>Material</b>	Silicone (SIL FDA) 50° Shore
Name	Silicone (SIL FDA) 50° Shore
Color	Transparent
Temperature, min.   °F	-40
Temperature max.   °F	392
Hardness   °Shore A	50

### Material resistance

Alcohol	Good
Concentrated acids	Poor
Ethanol	Not applicable
Hydrolysis	Fair
Methanol	Not applicable
Oil	Poor
Oxidation	Excellent
Gasoline	Poor
Wear resistance	Good
Weather and ozone	Excellent

### Dimensional drawings



Values specified in this data sheet are tested at (unless otherwise stated):

- Room temperature (20°C [68°F] ± 3°C [5.5°F]).
- Standard atmosphere (101.3 [29.9 inHg] ± 1.0 kPa [0.3 inHg]).
- Relative humidity 20-70%.
- Compressed air quality, DIN ISO 8573-1 class 4.

### Accessories

- O2AF | Fitting G1/8" male/M5 female, with mesh filter
- O2AB | Fitting G1/8" male, with mesh filter

### Spare parts

- BL20-2.21 | Suction cup BL20-2 Silicone FCM
- O2AC | Fitting 1/8" NPT male, with mesh filter