

Datasheet

Suction cup B75 HNBR, 3/8" NPSF female AI, with mesh filter

Item number: B75.37.07UB



- Manufactured from high-performance, mark free HNBR rubber
- Outstanding resistance to heat, oil, and chemicals
- Flexible bellow design for adapting to surface variations
- Secure and reliable grip in demanding applications
- Durable construction for extended service life
- Perfect for automotive and heavy-duty industrial use

Technical data

Description	Unit	Value
Suction cup shape	-	Bellows
Suction cup design	-	Round
Characteristics (for filtering)	-	High/low temp cup (plastic). Mark free
Material	-	HNBR
Weight, min.	oz	4.3
Suction cup model	-	B
Volume	in ³	6.71
Height	in	1.98
Outer diameter, min.	in	3.071
Fitting size	-	3/8"
Fitting option	-	Filter mesh
Fitting style	-	Female
Fitting type	-	NPSF-thread
Fitting material	-	AI
Suction cup model	-	B75
Movement, vertical max.	in	0.94
Curve radius, min.	in	1.57

Performance - Lifting forces

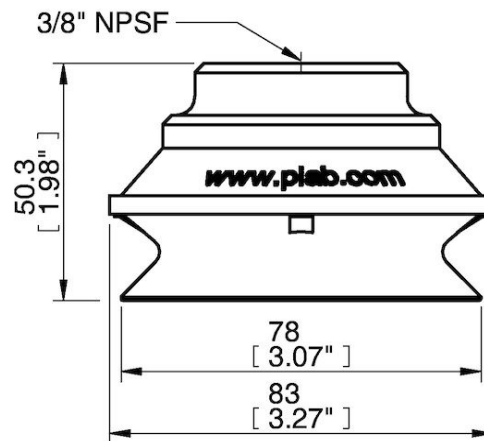
B75	Vertical (lb)	Parallel (lb)
5.91 -inHg	16.64	14.028
17.72 -inHg	37.54	27.52
26.58 -inHg	50.81	34.64

Material	
Name	HNBR 75° Shore A
Color	Blue/grey
Temperature, min. °F	-22
Temperature max. °F	284
Hardness °Shore A	75

Material resistance

Alcohol	Good
Concentrated acids	Fair
Ethanol	Not applicable
Hydrolysis	Good
Methanol	Not applicable
Oil	Excellent
Oxidation	Excellent
Gasoline	Excellent
Wear resistance	Excellent
Weather and ozone	Excellent

Dimensional drawings



Values specified in this data sheet are tested at (unless otherwise stated):

- Room temperature (20°C [68°F] ± 3°C [5.5°F]).
- Standard atmosphere (101.3 [29.9 inHg] ± 1.0 kPa [0.3 inHg]).
- Relative humidity 20-70%.
- Compressed air quality, DIN ISO 8573-1 class 4.

Accessories

07NA | Fitting 75, 1/8" NPSF female, clamp ring with mesh filter
07ND | Fitting 75, G3/8" female, clamp ring with mesh filter
07NE | Fitting 75, 3/8" NPSF female, with mesh filter
07NF | Fitting 75, G1/2" female, clamp ring with mesh filter
07UA | Fitting 1/8" NPSF female AI, with mesh filter
07UD | Fitting G1/2" female AI, with mesh filter
07UH | Fitting 1/4" NPT female AI, with mesh filter & 10-32 addl. conn.
B75.30.W | Suction cup B75 Nitrile-PVC with washer
B75.20.W | Suction cup B75 Silicone with washer
B75.37.W | Suction cup B75 HNBR with washer
B75.30 | Suction cup B75 Nitrile-PVC
B75.20 | Suction cup B75 Silicone

Spare parts

B75.37 | Suction cup B75 HNBR