

Datasheet

Suction cup B75 Silicone FCM, 3/8" NPSF female, with mesh filter

Item number: B75.21.07NE



- The silicone material complies with FDA 21 CFR 177.2600 & EU 1935/2004.
- Suitable for level adjustment.
- Several short bellows in one lifting device can handle objects with height differences and varying shapes, for example embossed or corrugated plates.
- The lifting movement can be used to separate small and thin objects.
- Only lightweight objects should be handled when the lifting force is parallel to the surface of the object, in order to achieve good precision and safe lifting movement.

Technical data

| Description | Unit | Value |
|---------------------------------|-----------------|--|
| Suction cup shape | - | Bellows |
| Suction cup design | - | Round |
| Characteristics (for filtering) | - | Food contact materials (FDA & EU). non-detectable. High/low temp cup (plastic) |
| Material | - | Silicone (SIL) |
| Weight, min. | oz | 4.2 |
| Suction cup model | - | B |
| Volume | in ³ | 6.71 |
| Height | in | 1.98 |
| Outer diameter, min. | in | 3.071 |
| Fitting size | - | 3/8" |
| Fitting option | - | Filter mesh |
| Fitting style | - | Female |
| Fitting type | - | NPSF-thread |
| Fitting material | - | Al |
| Suction cup model | - | B75 |
| Movement, vertical max. | in | 0.94 |
| Curve radius, min. | in | 1.57 |

Performance - Lifting forces

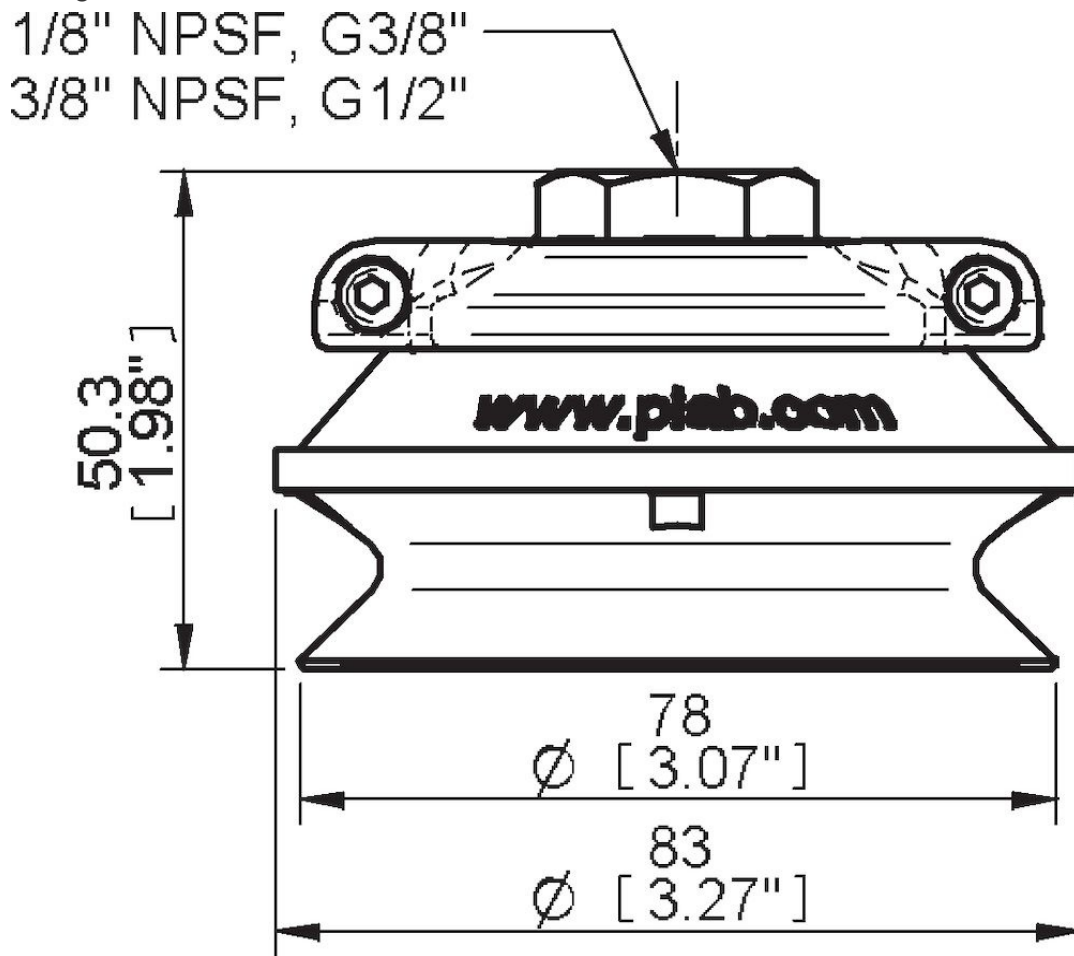
| B75 | Vertical (lb) | Parallel (lb) |
|-------------|---------------|---------------|
| 5.91 -inHg | 16.64 | 14.028 |
| 17.72 -inHg | 37.54 | 27.52 |
| 26.58 -inHg | 50.81 | 34.64 |

| | |
|------------------------|------------------------------|
| Material | |
| Name | Silicone (SIL FDA) 50° Shore |
| Color | Transparent |
| Temperature, min. °F | -40 |
| Temperature max. °F | 392 |
| Hardness °Shore A | 50 |

Material resistance

| | |
|--------------------|----------------|
| Alcohol | Good |
| Concentrated acids | Poor |
| Ethanol | Not applicable |
| Hydrolysis | Fair |
| Methanol | Not applicable |
| Oil | Poor |
| Oxidation | Excellent |
| Gasoline | Poor |
| Wear resistance | Good |
| Weather and ozone | Excellent |

Dimensional drawings



Values specified in this data sheet are tested at (unless otherwise stated):

- Room temperature (20°C [68°F] ± 3°C [5.5°F]).
- Standard atmosphere (101.3 [29.9 inHg] ± 1.0 kPa [0.3 inHg]).
- Relative humidity 20-70%.
- Compressed air quality, DIN ISO 8573-1 class 4.

Accessories

07ND | Fitting 75, G3/8" female, clamp ring with mesh filter

Spare parts

- 07NE | Fitting 75, 3/8" NPSF female, with mesh filter
- B75.21 | Suction cup B75 Silicone FCM