

Datasheet

Suction cup B75 Silicone, 1/4" NPT female AI, with mesh filter & 10-32 addl. conn.

Item number: B75.20.07UH



- Made from high quality silicone for safe and efficient handling
- Suitable for level adjustment.
- Several short bellows in one lifting device can handle objects with height differences and varying shapes, for example embossed or corrugated plates.
- The lifting movement can be used to separate small and thin objects.
- Suitable for plastics, sheet metal and packaging application

Technical data

Description	Unit	Value
Suction cup shape	-	Bellows
Suction cup design	-	Round
Characteristics (for filtering)	-	High/low temp cup (plastic)
Material	-	Silicone (SIL)
Weight, min.	oz	3.81
Suction cup model	-	B
Volume	in ³	6.71
Height	in	1.78
Outer diameter, min.	in	3.071
Fitting size	-	1/4"
Fitting option	-	None
Fitting style	-	Female
Fitting type	-	NPT-thread
Fitting material	-	Al
Suction cup model	-	B75
Movement, vertical max.	in	0.94
Curve radius, min.	in	1.57

Performance - Lifting forces

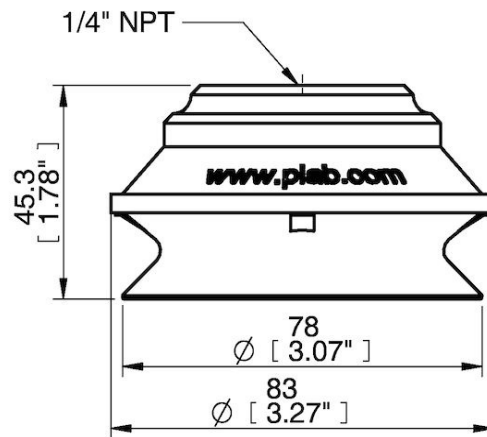
B75	Vertical (lb)	Parallel (lb)
5.91 -inHg	16.64	14.028
17.72 -inHg	37.54	27.52
26.58 -inHg	50.81	34.64

Material	
Name	Silicone. SIL 50° Shore A
Color	Red
Temperature, min. °F	-40
Temperature max. °F	392
Hardness °Shore A	50

Material resistance

Alcohol	Good
Concentrated acids	Poor
Ethanol	Not applicable
Hydrolysis	Fair
Methanol	Not applicable
Oil	Poor
Oxidation	Excellent
Gasoline	Poor
Wear resistance	Good
Weather and ozone	Excellent

Dimensional drawings



Values specified in this data sheet are tested at (unless otherwise stated):

- Room temperature (20°C [68°F] ± 3°C [5.5°F]).
- Standard atmosphere (101.3 [29.9 inHg] ± 1.0 kPa [0.3 inHg]).
- Relative humidity 20-70%.
- Compressed air quality, DIN ISO 8573-1 class 4.

Accessories

07NA | Fitting 75, 1/8" NPSF female, clamp ring with mesh filter

07ND | Fitting 75, G3/8" female, clamp ring with mesh filter

07NE | Fitting 75, 3/8" NPSF female, with mesh filter

07NF | Fitting 75, G1/2" female, clamp ring with mesh filter

07UA | Fitting 1/8" NPSF female AI, with mesh filter

07UD | Fitting G1/2" female AI, with mesh filter

B75.30.W | Suction cup B75 Nitrile-PVC with washer

B75.20.W | Suction cup B75 Silicone with washer

B75.37.W | Suction cup B75 HNBR with washer

B75.30 | Suction cup B75 Nitrile-PVC

B75.37 | Suction cup B75 HNBR

Spare parts

07UH | Fitting 1/4" NPT female AI, with mesh filter & 10-32 addl. conn.

B75.20 | Suction cup B75 Silicone