

## Datasheet

# Suction cup B50 HNBR, G3/8" male, with dual flow control valve

Item number: B50.37.05DD



- Manufactured from high-performance, mark free HNBR rubber
- Outstanding resistance to heat, oil, and chemicals
- Flexible bellow design for adapting to surface variations
- Secure and reliable grip in demanding applications
- Durable construction for extended service life
- Perfect for automotive and heavy-duty industrial use

### Technical data

Description	Unit	Value
Suction cup shape	-	Bellows
Suction cup design	-	Round
Characteristics (for filtering)	-	High/low temp cup (plastic). Mark free
Material	-	HNBR
Weight, min.	oz	0.71
Suction cup model	-	B
Volume	in <sup>3</sup>	1.95
Leakage flow, max.	scfm	0.34
Height	in	2.02
Outer diameter, min.	in	2.087
Fitting size	-	3/8"
Fitting option	-	Dual flow control valve
Fitting style	-	Male
Fitting type	-	G-thread
Valve restriction	in	0.039
Fitting material	-	Al
Suction cup model	-	B50
Movement, vertical max.	in	0.72
Curve radius, min.	in	1.18

### Performance - Lifting forces

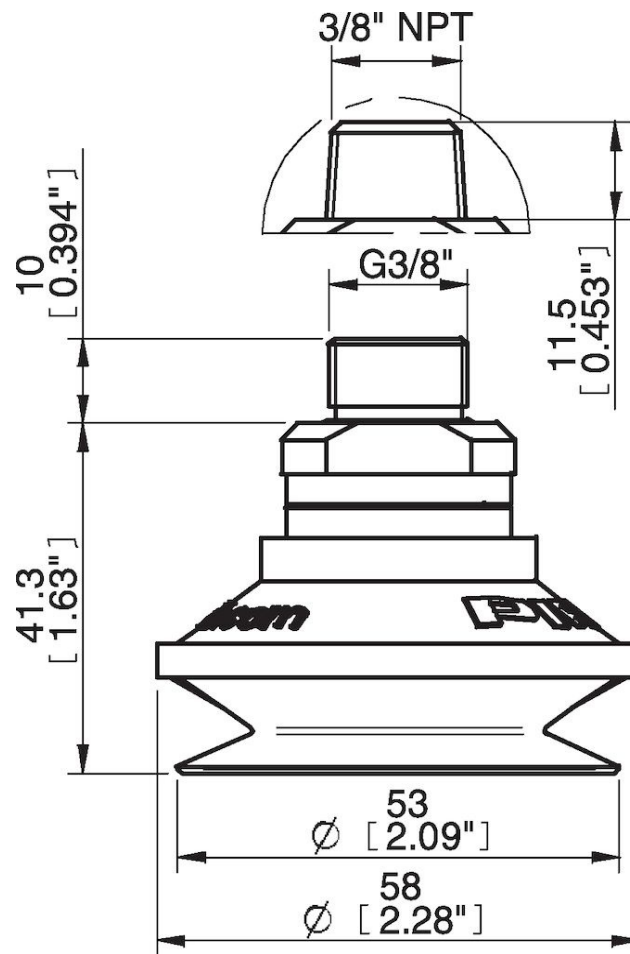
B50	Vertical (lb)	Parallel (lb)
5.91 -inHg	7.42	5.44
17.72 -inHg	14.61	11.51
26.58 -inHg	18.43	13.67

Material	
Name	HNBR 75° Shore A
Color	Blue/grey
Temperature, min.   °F	-22
Temperature max.   °F	284
Hardness   °Shore A	75

### Material resistance

Alcohol	Good
Concentrated acids	Fair
Ethanol	Not applicable
Hydrolysis	Good
Methanol	Not applicable
Oil	Excellent
Oxidation	Excellent
Gasoline	Excellent
Wear resistance	Excellent
Weather and ozone	Excellent

### Dimensional drawings



### Values specified in this data sheet are tested at (unless otherwise stated):

- Room temperature (20°C [68°F] ± 3°C [5.5°F]).
- Standard atmosphere (101.3 [29.9 inHg] ± 1.0 kPa [0.3 inHg]).
- Relative humidity 20-70%.
- Compressed air quality, DIN ISO 8573-1 class 4.

**Accessories**

05AF | Fitting 5x1/8" NPSF female, 50

B50.30 | Suction cup B50 Nitrile-PVC

B50.20 | Suction cup B50 Silicone

05AG | Fitting 1/8" NPSF female, 50, with mesh filter

05AI | Fitting G1/8" male, 50, with mesh filter

05CA | Fitting 1/8" NPSF female, 50, PA

05AA | Fitting 1/8" NPSF female, 50

05AD | Fitting G3/8" male, 50, with mesh filter

05AE | Fitting 3/8" NPT male, with mesh filter

05AB | Fitting G1/4" male, 50, with mesh filter

05AC | Fitting 1/4" NPT male, with mesh filter

05DA | Fitting 1/8" NPSF female, 50, with dual flow control valve

05DB | Fitting G1/4" male, with dual flow control valve

05DC | Fitting 1/4" NPT male, with dual flow control valve

05DE | Fitting 3/8" NPT male, with dual flow control valve

05DF | Fitting 5x1/8" NPSF female, 50, with dual flow control valve

**Spare parts**

B50.37 | Suction cup B50 HNBR

05DD | Fitting G3/8" male, 50, with mesh filter and dual flow control valve