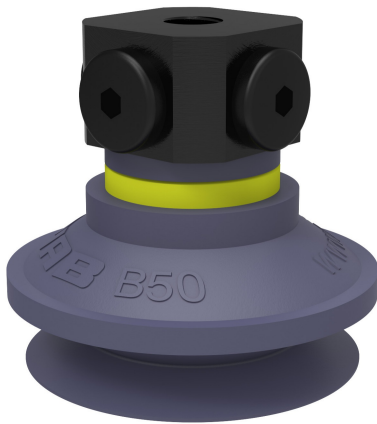


Suction cup B50 HNBR, 5x1/8" NPSF female

Item number: B50.37.05AF



- Manufactured from high-performance, mark free HNBR rubber
- Outstanding resistance to heat, oil, and chemicals
- Flexible bellow design for adapting to surface variations
- Secure and reliable grip in demanding applications
- Durable construction for extended service life
- Perfect for automotive and heavy-duty industrial use

Technical data

Description	Unit	Value
Suction cup shape	-	Bellows
Suction cup design	-	Round
Characteristics (for filtering)	-	High/low temp cup (plastic). Mark free
Material	-	HNBR
Weight, min.	oz	0.71
Suction cup model	-	B
Volume	in ³	1.95
Height	in	2.098
Outer diameter, min.	in	2.087
Fitting size	-	1/8"
Fitting option	-	None
Fitting style	-	Female
Fitting type	-	NPSF-thread
Fitting material	-	Al
Suction cup model	-	B50
Movement, vertical max.	in	0.72
Curve radius, min.	in	1.18

Performance - Lifting forces

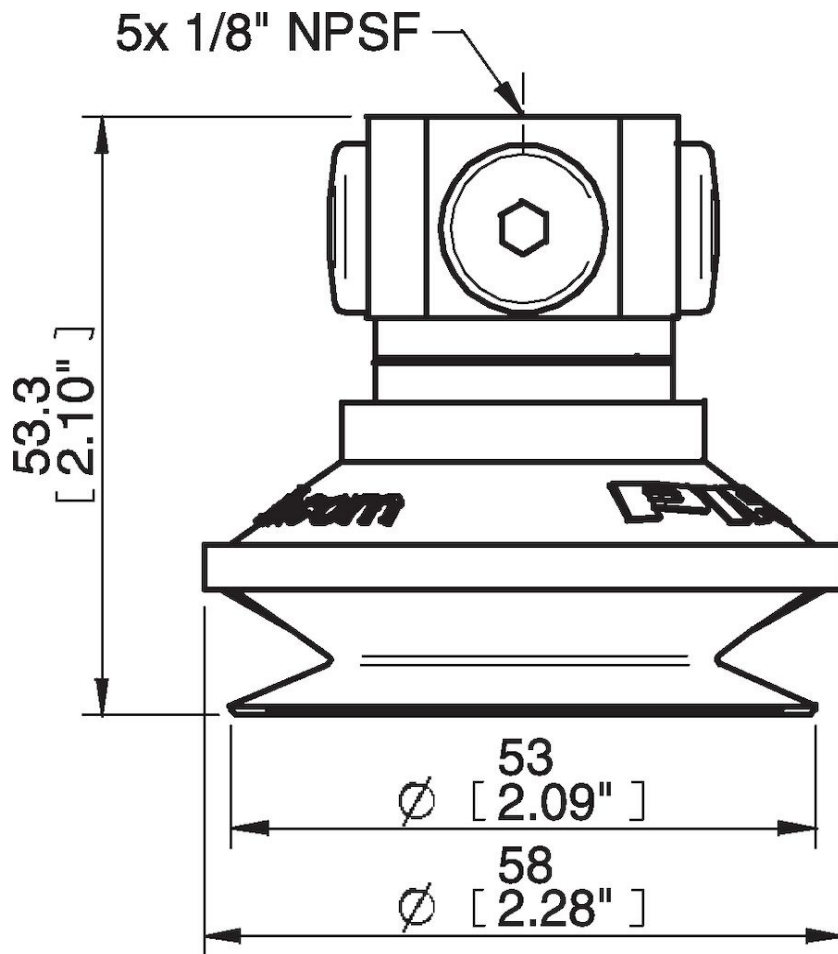
B50	Vertical (lb)	Parallel (lb)
5.91 -inHg	7.42	5.44
17.72 -inHg	14.61	11.51
26.58 -inHg	18.43	13.67

Material	
Name	HNBR 75° Shore A
Color	Blue/grey
Temperature, min. °F	-22
Temperature max. °F	284
Hardness °Shore A	75

Material resistance

Alcohol	Good
Concentrated acids	Fair
Ethanol	Not applicable
Hydrolysis	Good
Methanol	Not applicable
Oil	Excellent
Oxidation	Excellent
Gasoline	Excellent
Wear resistance	Excellent
Weather and ozone	Excellent

Dimensional drawings



Values specified in this data sheet are tested at (unless otherwise stated):

- Room temperature (20°C [68°F] ± 3°C [5.5°F]).
- Standard atmosphere (101.3 [29.9 inHg] ± 1.0 kPa [0.3 inHg]).
- Relative humidity 20-70%.
- Compressed air quality, DIN ISO 8573-1 class 4.

Accessories

B50.30 | Suction cup B50 Nitrile-PVC

B50.20 | Suction cup B50 Silicone

05AG | Fitting 1/8" NPSF female, 50, with mesh filter

05AI | Fitting G1/8" male, 50, with mesh filter

05CA | Fitting 1/8" NPSF female, 50, PA

05AA | Fitting 1/8" NPSF female, 50

05AD | Fitting G3/8" male, 50, with mesh filter

05AE | Fitting 3/8" NPT male, with mesh filter

05AB | Fitting G1/4" male, 50, with mesh filter

05AC | Fitting 1/4" NPT male, with mesh filter

05DA | Fitting 1/8" NPSF female, 50, with dual flow control valve

05DB | Fitting G1/4" male, with dual flow control valve

05DC | Fitting 1/4" NPT male, with dual flow control valve

05DD | Fitting G3/8" male, 50, with mesh filter and dual flow control valve

05DE | Fitting 3/8" NPT male, with dual flow control valve

05DF | Fitting 5x1/8" NPSF female, 50, with dual flow control valve

Spare parts

05AF | Fitting 5x1/8" NPSF female, 50

B50.37 | Suction cup B50 HNBR