

Datasheet

Suction cup B50 Silicone FCM, 1/4" NPT male, with mesh filter

Item number: B50.21.05AC



- The silicone material complies with FDA 21 CFR 177.2600 & EU 1935/2004.
- Suitable for level adjustment.
- Several short bellows in one lifting device can handle objects with height differences and varying shapes, for example embossed or corrugated plates.
- The lifting movement can be used to separate small and thin objects.
- Only lightweight objects should be handled when the lifting force is parallel to the surface of the object, in order to achieve good precision and safe lifting movement.

Technical data

Description	Unit	Value
Suction cup shape	-	Bellows
Suction cup design	-	Round
Characteristics (for filtering)	-	Food contact materials (FDA & EU). non-detectable. High/low temp cup (plastic)
Material	-	Silicone (SIL)
Weight, min.	oz	0.71
Suction cup model	-	B
Volume	in ³	1.95
Height	in	1.98
Outer diameter, min.	in	2.087
Fitting size	-	1/4"
Fitting option	-	Filter mesh
Fitting style	-	Male
Fitting type	-	NPT-thread
Fitting material	-	Al
Suction cup model	-	B50
Movement, vertical max.	in	0.72
Curve radius, min.	in	1.18

Performance - Lifting forces

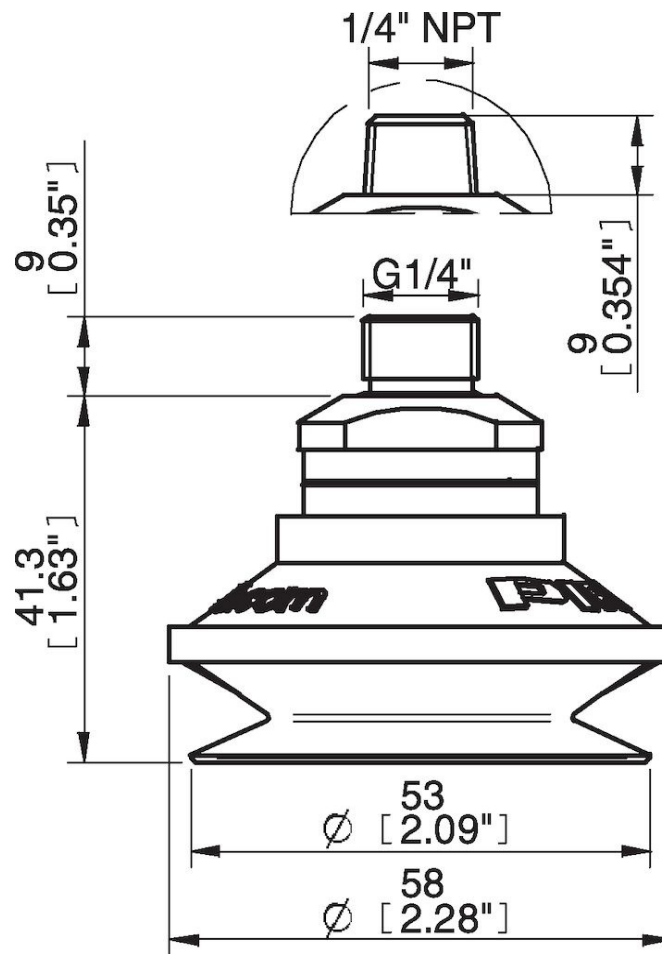
B50	Vertical (lb)	Parallel (lb)
5.91 -inHg	7.42	5.44
17.72 -inHg	14.61	11.51
26.58 -inHg	18.43	13.67

Material	
Name	Silicone (SIL FDA) 50° Shore
Color	Transparent
Temperature, min. °F	-40
Temperature max. °F	392
Hardness °Shore A	50

Material resistance

Alcohol	Good
Concentrated acids	Poor
Ethanol	Not applicable
Hydrolysis	Fair
Methanol	Not applicable
Oil	Poor
Oxidation	Excellent
Gasoline	Poor
Wear resistance	Good
Weather and ozone	Excellent

Dimensional drawings



Values specified in this data sheet are tested at (unless otherwise stated):

- Room temperature (20°C [68°F] ± 3°C [5.5°F]).
- Standard atmosphere (101.3 [29.9 inHg] ± 1.0 kPa [0.3 inHg]).
- Relative humidity 20-70%.
- Compressed air quality, DIN ISO 8573-1 class 4.

Accessories

- 05AG | Fitting 1/8" NPSF female, 50, with mesh filter
- 05AB | Fitting G1/4" male, 50, with mesh filter

Spare parts

- B50.21 | Suction cup B50 Silicone FCM
- 05AC | Fitting 1/4" NPT male, with mesh filter