

Suction cup B50 Silicone, 1/8" NPSF female, PA

Item number: B50.20.05CA



- Made from high quality silicone for safe and efficient handling
- Suitable for level adjustment.
- Several short bellows in one lifting device can handle objects with height differences and varying shapes, for example embossed or corrugated plates.
- The lifting movement can be used to separate small and thin objects.
- Suitable for plastics, sheet metal and packaging application

Technical data

Description	Unit	Value
Suction cup shape	-	Bellows
Suction cup design	-	Round
Characteristics (for filtering)	-	High/low temp cup (plastic)
Material	-	Silicone (SIL)
Weight, min.	oz	0.71
Suction cup model	-	B
Volume	in ³	1.95
Height	in	1.74
Outer diameter, min.	in	2.087
Fitting size	-	1/8"
Fitting option	-	None
Fitting style	-	Female
Fitting type	-	NPSF-thread
Fitting material	-	PA
Suction cup model	-	B50
Movement, vertical max.	in	0.72
Curve radius, min.	in	1.18

Performance - Lifting forces

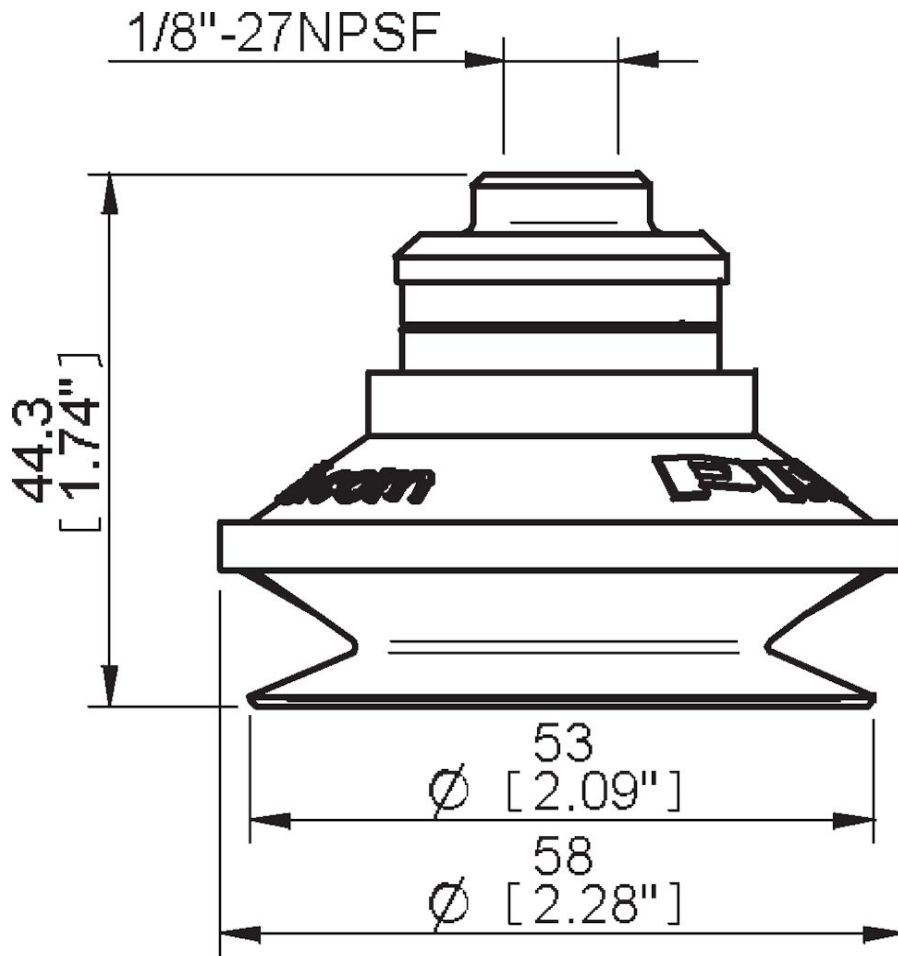
B50	Vertical (lb)	Parallel (lb)
5.91 -inHg	7.42	5.44
17.72 -inHg	14.61	11.51
26.58 -inHg	18.43	13.67

Material	
Name	Silicone. SIL 50° Shore A
Color	Red
Temperature, min. °F	-40
Temperature max. °F	392
Hardness °Shore A	50

Material resistance

Alcohol	Good
Concentrated acids	Poor
Ethanol	Not applicable
Hydrolysis	Fair
Methanol	Not applicable
Oil	Poor
Oxidation	Excellent
Gasoline	Poor
Wear resistance	Good
Weather and ozone	Excellent

Dimensional drawings



Values specified in this data sheet are tested at (unless otherwise stated):

- Room temperature (20°C [68°F] ± 3°C [5.5°F]).
- Standard atmosphere (101.3 [29.9 inHg] ± 1.0 kPa [0.3 inHg]).
- Relative humidity 20-70%.
- Compressed air quality, DIN ISO 8573-1 class 4.

Accessories

05AF | Fitting 5x1/8" NPSF female, 50

B50.30 | Suction cup B50 Nitrile-PVC

05AG | Fitting 1/8" NPSF female, 50, with mesh filter

B50.37 | Suction cup B50 HNBR

05AI | Fitting G1/8" male, 50, with mesh filter

05AA | Fitting 1/8" NPSF female, 50

05AD | Fitting G3/8" male, 50, with mesh filter

05AE | Fitting 3/8" NPT male, with mesh filter

05AB | Fitting G1/4" male, 50, with mesh filter

05AC | Fitting 1/4" NPT male, with mesh filter

05DA | Fitting 1/8" NPSF female, 50, with dual flow control valve

05DB | Fitting G1/4" male, with dual flow control valve

05DC | Fitting 1/4" NPT male, with dual flow control valve

05DD | Fitting G3/8" male, 50, with mesh filter and dual flow control valve

05DE | Fitting 3/8" NPT male, with dual flow control valve

05DF | Fitting 5x1/8" NPSF female, 50, with dual flow control valve

Spare parts

B50.20 | Suction cup B50 Silicone

05CA | Fitting 1/8" NPSF female, 50, PA