

Datasheet

Suction cup B40 HNBR, 5x1/8" NPSF female with dual flow control valve

Item number: B40.37.04DF



- Manufactured from high-performance, mark free HNBR rubber
- Outstanding resistance to heat, oil, and chemicals
- Flexible bellow design for adapting to surface variations
- Secure and reliable grip in demanding applications
- Durable construction for extended service life
- Perfect for automotive and heavy-duty industrial use

Technical data

Description	Unit	Value
Suction cup shape	-	Bellows
Suction cup design	-	Round
Characteristics (for filtering)	-	High/low temp cup (plastic). Mark free
Material	-	HNBR
Weight, min.	oz	0.35
Suction cup model	-	B
Volume	in ³	0.92
Leakage flow, max.	scfm	0.28
Height	in	1.81
Outer diameter, min.	in	1.69
Fitting size	-	1/8"
Fitting option	-	Dual flow control valve
Fitting style	-	Female
Fitting type	-	NPSF-thread
Valve restriction	in	0.035
Fitting material	-	Al
Suction cup model	-	B40
Movement, vertical max.	in	0.53
Curve radius, min.	in	0.79

Performance - Lifting forces

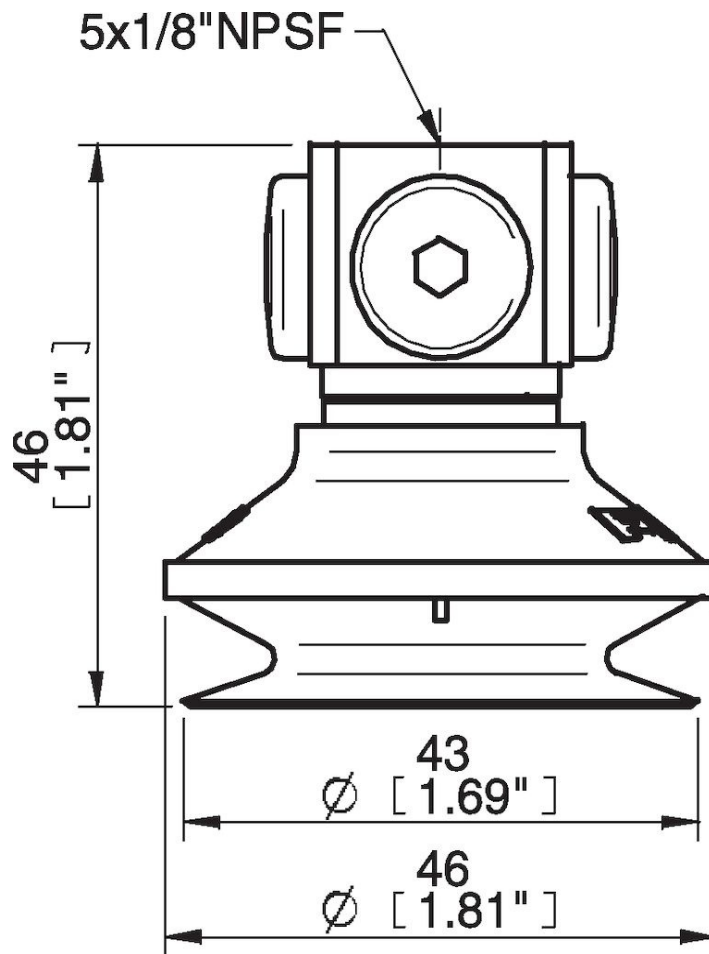
B40	Vertical (lb)	Parallel (lb)
5.91 -inHg	4.95	3.84
17.72 -inHg	8.77	5.91
26.58 -inHg	11.016	6.86

Material	
Name	HNBR 75° Shore A
Color	Blue/grey
Temperature, min. °F	-22
Temperature max. °F	284
Hardness °Shore A	75

Material resistance

Alcohol	Good
Concentrated acids	Fair
Ethanol	Not applicable
Hydrolysis	Good
Methanol	Not applicable
Oil	Excellent
Oxidation	Excellent
Gasoline	Excellent
Wear resistance	Excellent
Weather and ozone	Excellent

Dimensional drawings



Values specified in this data sheet are tested at (unless otherwise stated):

- Room temperature (20°C [68°F] ± 3°C [5.5°F]).
- Standard atmosphere (101.3 [29.9 inHg] ± 1.0 kPa [0.3 inHg]).
- Relative humidity 20-70%.
- Compressed air quality, DIN ISO 8573-1 class 4.

Accessories

04AF | Fitting 5x1/8" NPSF female, 30–40

B40.10 | Suction cup B40 Chloroprene

B40.20 | Suction cup B40 Silicone

04AG | Fitting 1/8" NPSF female, 30–40, with mesh filter

04AI | Fitting G1/8" male, 40, with mesh filter

04CA | Fitting 1/8" NPSF female, 30–40, PA

04AA | Fitting 1/8" NPSF female, 30–40

04AD | Fitting G3/8" male, 30–40, with mesh filter

04AE | Fitting 3/8" NPT male, with mesh filter

04AB | Fitting G1/4" male, 30–40, with mesh filter

04AC | Fitting 1/4" NPT male, with mesh filter

04DA | Fitting 1/8" NPSF female, 30–40, with dual flow control valve

04DB | Fitting G1/4" male, 30–40, with dual flow control valve

04DC | Fitting 1/4" NPT male, with dual flow control valve

04DD | Fitting G3/8" male, 30–40, with dual flow control valve

04DE | Fitting 3/8" NPT male, with dual flow control valve

Spare parts

B40.37 | Suction cup B40 HNBR

04DF | Fitting 5x1/8" NPSF female, 30–40, with dual flow control valve