

## Suction cup B40 HNBR, 5x1/8" NPSF female

Item number: B40.37.04AF



- Manufactured from high-performance, mark free HNBR rubber
- Outstanding resistance to heat, oil, and chemicals
- Flexible bellow design for adapting to surface variations
- Secure and reliable grip in demanding applications
- Durable construction for extended service life
- Perfect for automotive and heavy-duty industrial use

### Technical data

Description	Unit	Value
Suction cup shape	-	Bellows
Suction cup design	-	Round
Characteristics (for filtering)	-	High/low temp cup (plastic). Mark free
Material	-	HNBR
Weight, min.	oz	0.35
Suction cup model	-	B
Volume	in <sup>3</sup>	0.92
Height	in	1.81
Outer diameter, min.	in	1.69
Fitting size	-	1/8"
Fitting option	-	None
Fitting style	-	Female
Fitting type	-	NPSF-thread
Fitting material	-	Al
Suction cup model	-	B40
Movement, vertical max.	in	0.53
Curve radius, min.	in	0.79

### Performance - Lifting forces

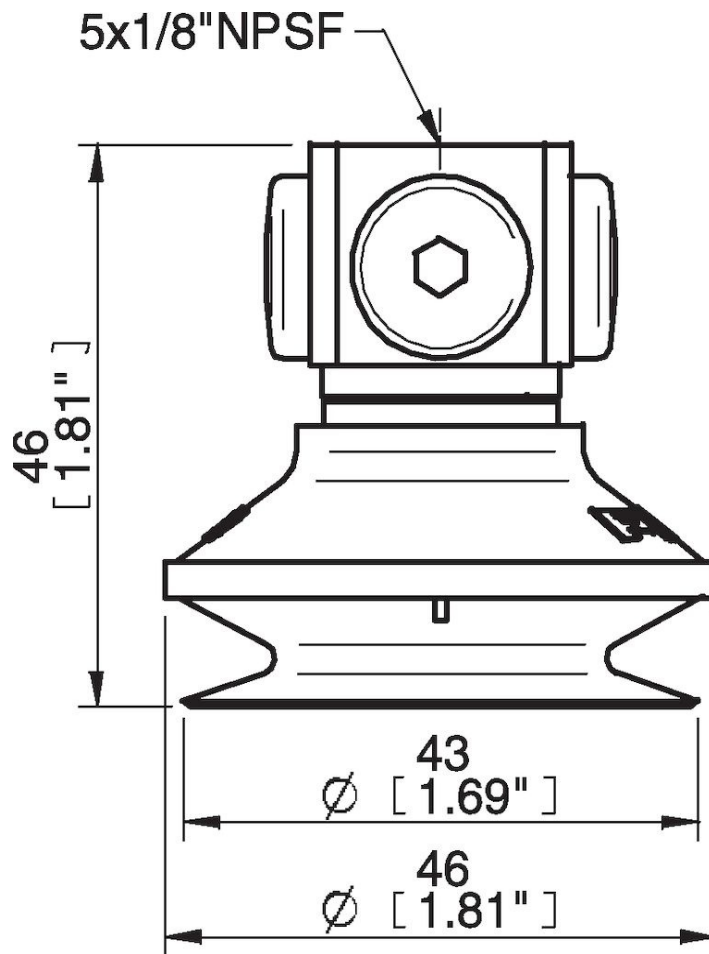
B40	Vertical (lb)	Parallel (lb)
5.91 -inHg	4.95	3.84
17.72 -inHg	8.77	5.91
26.58 -inHg	11.016	6.86

Material	
Name	HNBR 75° Shore A
Color	Blue/grey
Temperature, min.   °F	-22
Temperature max.   °F	284
Hardness   °Shore A	75

### Material resistance

Alcohol	Good
Concentrated acids	Fair
Ethanol	Not applicable
Hydrolysis	Good
Methanol	Not applicable
Oil	Excellent
Oxidation	Excellent
Gasoline	Excellent
Wear resistance	Excellent
Weather and ozone	Excellent

### Dimensional drawings



### Values specified in this data sheet are tested at (unless otherwise stated):

- Room temperature (20°C [68°F] ± 3°C [5.5°F]).
- Standard atmosphere (101.3 [29.9 inHg] ± 1.0 kPa [0.3 inHg]).
- Relative humidity 20-70%.
- Compressed air quality, DIN ISO 8573-1 class 4.

**Accessories**

B40.10 | Suction cup B40 Chloroprene  
B40.20 | Suction cup B40 Silicone  
04AG | Fitting 1/8" NPSF female, 30–40, with mesh filter  
04AI | Fitting G1/8" male, 40, with mesh filter  
04CA | Fitting 1/8" NPSF female, 30–40, PA  
04AA | Fitting 1/8" NPSF female, 30–40  
04AD | Fitting G3/8" male, 30–40, with mesh filter  
04AE | Fitting 3/8" NPT male, with mesh filter  
04AB | Fitting G1/4" male, 30–40, with mesh filter  
04AC | Fitting 1/4" NPT male, with mesh filter  
04DA | Fitting 1/8" NPSF female, 30–40, with dual flow control valve  
04DB | Fitting G1/4" male, 30–40, with dual flow control valve  
04DC | Fitting 1/4" NPT male, with dual flow control valve  
04DD | Fitting G3/8" male, 30–40, with dual flow control valve  
04DE | Fitting 3/8" NPT male, with dual flow control valve  
04DF | Fitting 5x1/8" NPSF female, 30–40, with dual flow control valve

**Spare parts**

04AF | Fitting 5x1/8" NPSF female, 30–40  
B40.37 | Suction cup B40 HNBR