

Datasheet

Suction cup B40 Chloroprene, 3/8" NPT male, with dual flow control valve

Item number: B40.10.04DE



- Made from high-quality chloroprene rubber
- Excellent resistance to oils, abrasion, and weathering
- Flexible bellow design adapts to curved and uneven surfaces
- Mark free handling
- Durable for long-lasting use in demanding environments
- Ideal for automotive, packaging, and general manufacturing

Technical data

Description	Unit	Value
Suction cup shape	-	Bellows
Suction cup design	-	Round
Material	-	Chloroprene (CR)
Weight, min.	oz	0.35
Suction cup model	-	B
Volume	in ³	0.92
Height	in	1.73
Outer diameter, min.	in	1.69
Fitting size	-	3/8"
Fitting option	-	Dual flow control valve
Fitting style	-	Male
Fitting type	-	NPT-thread
Fitting material	-	Al
Suction cup model	-	B40
Movement, vertical max.	in	0.53
Curve radius, min.	in	0.79

Performance - Lifting forces

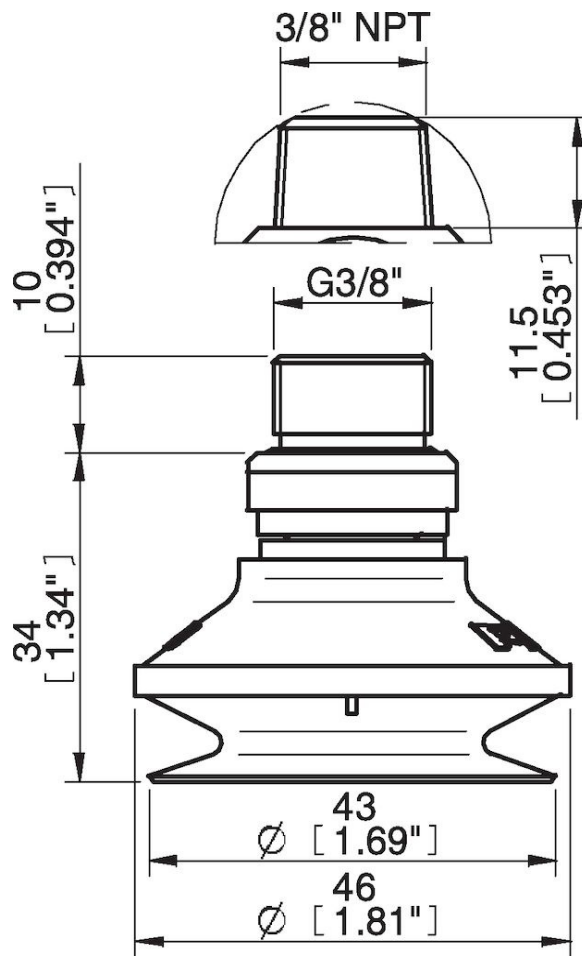
B40	Vertical (lb)	Parallel (lb)
5.91 -inHg	4.95	3.84
17.72 -inHg	8.77	5.91
26.58 -inHg	11.016	6.86

Material	
Name	Chloroprene (CR) 50° Shore A
Color	Black
Temperature, min. °F	-40
Temperature max. °F	230
Hardness °Shore A	50

Material resistance

Alcohol	Good
Concentrated acids	Poor
Ethanol	Not applicable
Hydrolysis	Good
Methanol	Not applicable
Oil	Fair
Oxidation	Good
Gasoline	Fair
Wear resistance	Excellent
Weather and ozone	Good

Dimensional drawings



Values specified in this data sheet are tested at (unless otherwise stated):

- Room temperature (20°C [68°F] ± 3°C [5.5°F]).
- Standard atmosphere (101.3 [29.9 inHg] ± 1.0 kPa [0.3 inHg]).
- Relative humidity 20-70%.
- Compressed air quality, DIN ISO 8573-1 class 4.

Accessories

04AF | Fitting 5x1/8" NPSF female, 30–40

B40.20 | Suction cup B40 Silicone

04AG | Fitting 1/8" NPSF female, 30–40, with mesh filter

B40.37 | Suction cup B40 HNBR

04AI | Fitting G1/8" male, 40, with mesh filter

04CA | Fitting 1/8" NPSF female, 30–40, PA

04AA | Fitting 1/8" NPSF female, 30–40

04AD | Fitting G3/8" male, 30–40, with mesh filter

04AE | Fitting 3/8" NPT male, with mesh filter

04AB | Fitting G1/4" male, 30–40, with mesh filter

04AC | Fitting 1/4" NPT male, with mesh filter

04DA | Fitting 1/8" NPSF female, 30–40, with dual flow control valve

04DB | Fitting G1/4" male, 30–40, with dual flow control valve

04DC | Fitting 1/4" NPT male, with dual flow control valve

04DD | Fitting G3/8" male, 30–40, with dual flow control valve

04DF | Fitting 5x1/8" NPSF female, 30–40, with dual flow control valve

Spare parts

B40.10 | Suction cup B40 Chloroprene

04DE | Fitting 3/8" NPT male, with dual flow control valve