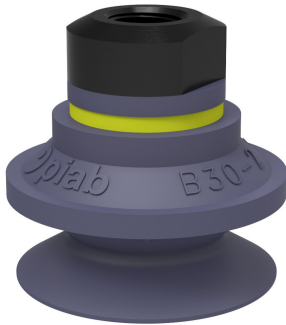


Suction cup B30-2 HNBR, 1/8" NPSF female

Item number: B30-2.37.04AA



- Manufactured from high-performance, mark free HNBR rubber
- Outstanding resistance to heat, oil, and chemicals
- Flexible bellow design for adapting to surface variations
- Secure and reliable grip in demanding applications
- Durable construction for extended service life
- Perfect for automotive and heavy-duty industrial use

Technical data

| Description | Unit | Value |
|---------------------------------|-----------------|--|
| Suction cup shape | - | Bellows |
| Suction cup design | - | Round |
| Characteristics (for filtering) | - | High/low temp cup (plastic). Mark free |
| Material | - | HNBR |
| Weight, min. | oz | 0.25 |
| Suction cup model | - | B |
| Volume | in ³ | 0.61 |
| Height | in | 1.32 |
| Outer diameter, min. | in | 1.34 |
| Fitting size | - | 1/8" |
| Fitting option | - | None |
| Fitting style | - | Female |
| Fitting type | - | NPSF-thread |
| Fitting material | - | Al |
| Suction cup model | - | B30-2 |
| Movement, vertical max. | in | 0.55 |
| Curve radius, min. | in | 0.59 |

Performance - Lifting forces

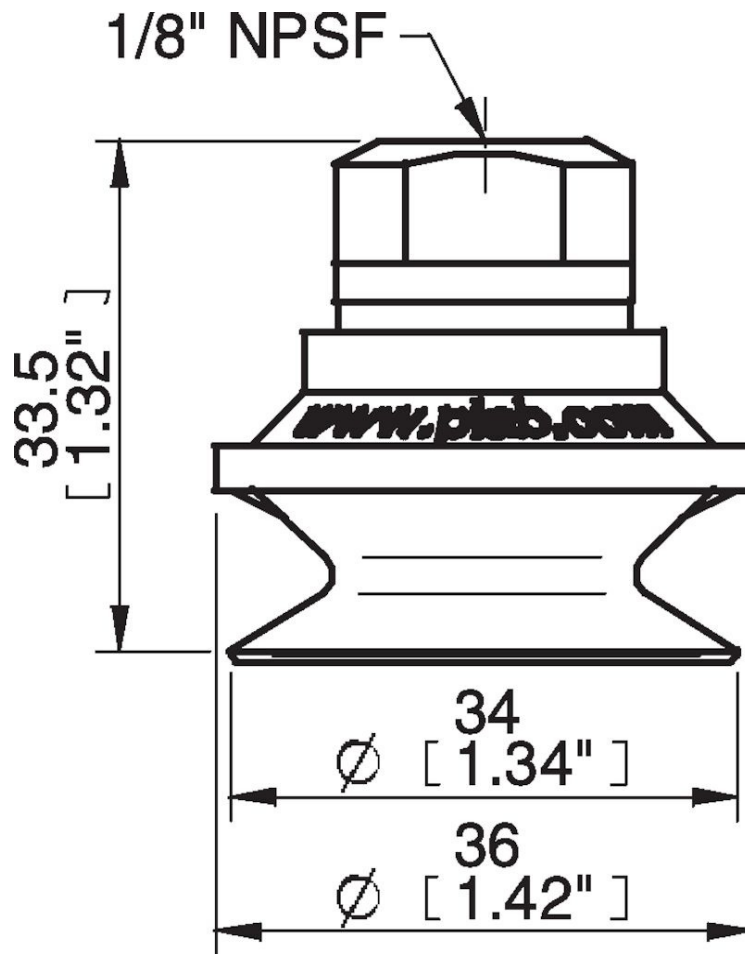
| B30-2 | Vertical (lb) | Parallel (lb) |
|-------------|---------------|---------------|
| 5.91 -inHg | 2.7 | 2.11 |
| 17.72 -inHg | 4.95 | 3.73 |
| 26.58 -inHg | 6.07 | 4.99 |

| Material | |
|------------------------|------------------|
| Name | HNBR 75° Shore A |
| Color | Blue/grey |
| Temperature, min. °F | -22 |
| Temperature max. °F | 284 |
| Hardness °Shore A | 75 |

Material resistance

| | |
|--------------------|----------------|
| Alcohol | Good |
| Concentrated acids | Fair |
| Ethanol | Not applicable |
| Hydrolysis | Good |
| Methanol | Not applicable |
| Oil | Excellent |
| Oxidation | Excellent |
| Gasoline | Excellent |
| Wear resistance | Excellent |
| Weather and ozone | Excellent |

Dimensional drawings



Values specified in this data sheet are tested at (unless otherwise stated):

- Room temperature (20°C [68°F] ± 3°C [5.5°F]).
- Standard atmosphere (101.3 [29.9 inHg] ± 1.0 kPa [0.3 inHg]).
- Relative humidity 20-70%.
- Compressed air quality, DIN ISO 8573-1 class 4.

Accessories

04AF | Fitting 5x1/8" NPSF female, 30–40
B30-2.10 | Suction cup B30-2 Chloroprene
B30-2.20 | Suction cup B30-2 Silicone
04AG | Fitting 1/8" NPSF female, 30–40, with mesh filter
04AI | Fitting G1/8" male, 40, with mesh filter
04CA | Fitting 1/8" NPSF female, 30–40, PA
04AD | Fitting G3/8" male, 30–40, with mesh filter
04AE | Fitting 3/8" NPT male, with mesh filter
04AB | Fitting G1/4" male, 30–40, with mesh filter
04AC | Fitting 1/4" NPT male, with mesh filter
04DA | Fitting 1/8" NPSF female, 30–40, with dual flow control valve
04DB | Fitting G1/4" male, 30–40, with dual flow control valve
04DC | Fitting 1/4" NPT male, with dual flow control valve
04DD | Fitting G3/8" male, 30–40, with dual flow control valve
04DE | Fitting 3/8" NPT male, with dual flow control valve
04DF | Fitting 5x1/8" NPSF female, 30–40, with dual flow control valve
02.01.148 | Filter D=34, HDPE, 20 pcs

Spare parts

B30-2.37 | Suction cup B30-2 HNBR
04AA | Fitting 1/8" NPSF female, 30–40