

## Suction cup B110-2 Nitrile-PVC

Item number: 32.50.097P



### Technical data

Description	Unit	Value
Suction cup shape	-	Bellows
Application	-	Dry sheet metal, Plastic injection molded parts
Suction cup design	-	Round
Characteristics	-	Dry sheet metal, Plastic injection molded parts
Material	-	Nitrile-PVC (NPV)
Weight, min.	oz	4.23
Suction cup model	-	B
Volume	in <sup>3</sup>	18.92
Height	in	2.14
Outer diameter, min.	in	4.53
Fitting size	-	None
Fitting option	-	None
Fitting style	-	None
Fitting type	-	None
Suction cup model	-	B110
Movement, vertical max.	in	1.36
Curve radius, min.	in	2.36

### Performance - Lifting forces

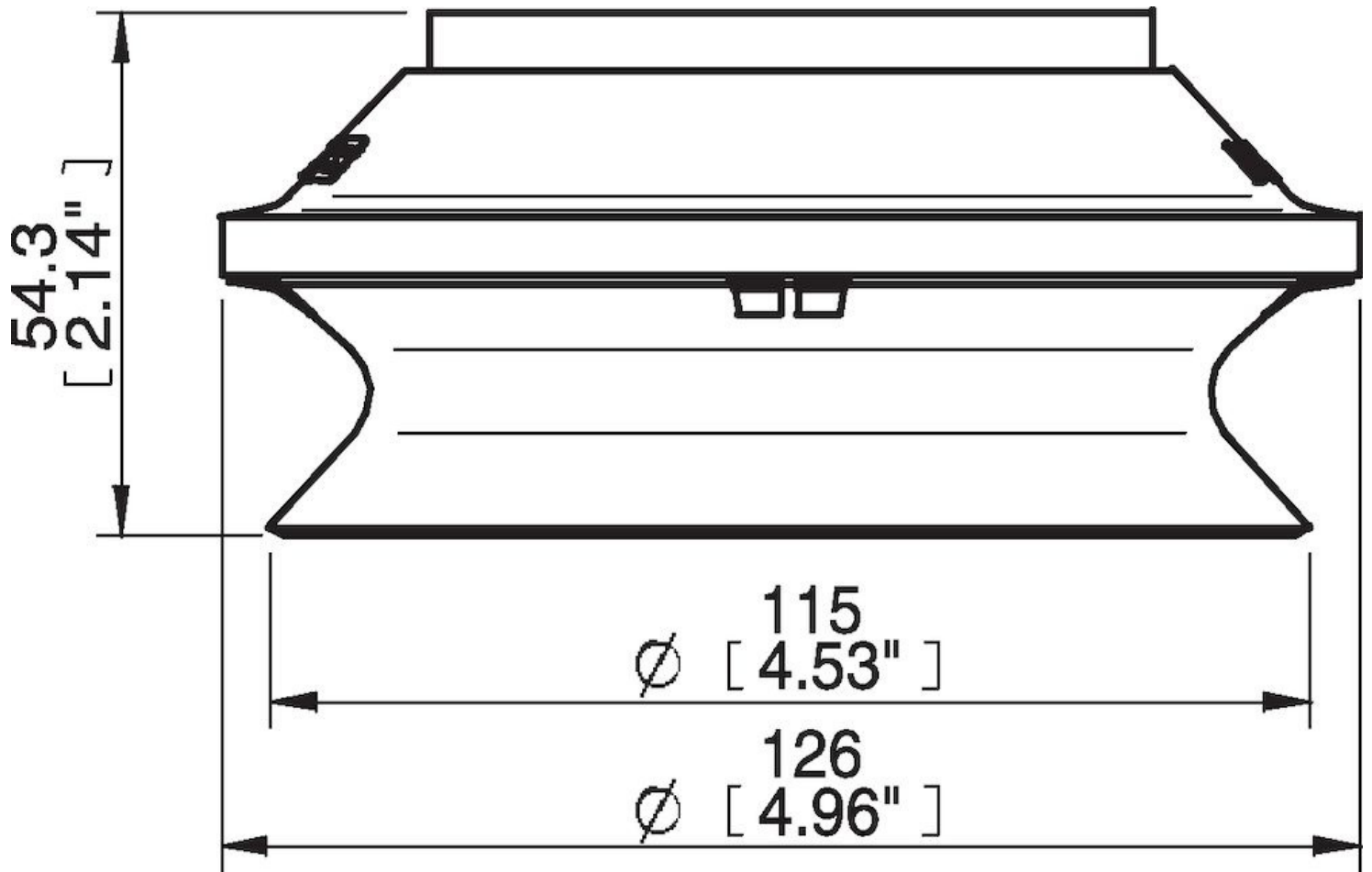
B110	Vertical (lb)	Parallel (lb)
5.91 -inHg	30.80	
17.72 -inHg	77.11	
26.58 -inHg	103.64	

Material	
Name	Nitrile-PVC (NPV)
Color	Black
Temperature, min.   °F	32.0
Temperature max.   °F	194.0
Hardness   °Shore A	50

### Material resistance

Alcohol	Good
Concentrated acids	Fair
Ethanol	n/a
Hydrolysis	Good
Methanol	n/a
Oil	Excellent
Oxidation	Good
Gasoline	Excellent
Wear resistance	Excellent
Weather and ozone	Good

### Dimensional drawings



### Values specified in this data sheet are tested at (unless otherwise stated):

- Room temperature (20°C [68°F] ± 3°C [5.5°F]).
- Standard atmosphere (101.3 [29.9 inHg] ± 1.0 kPa [0.3 inHg]).
- Relative humidity 20-70%.
- Compressed air quality, DIN ISO 8573-1 class 4.

## Accessories

11NA | Fitting 110 G3/8" female, clamp ring with mesh filter

11NB | Fitting 110, 3/8" NPSF female, with mesh filter

11NC | Fitting 110, G1/2" female, clamp ring with mesh filter

11UA | Fitting G1/2" female AI, with mesh filter