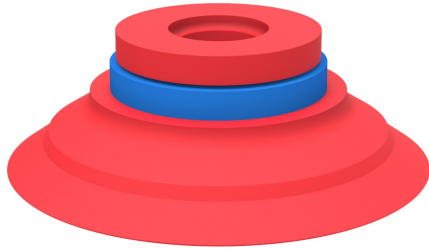


Datasheet

Suction cup F50-2 Silicone, for fitting with cone valve

Item number: 31.50.241S



Technical data

Description	Unit	Value
Suction cup shape	-	Flat
Suction cup design	-	Round
Characteristics (for filtering)	-	High/low temp cup (plastic)
Material	-	Silicone (SIL)
Weight, min.	oz	0.49
Suction cup model	-	F
Volume	in ³	0.61
Height	in	0.69
Outer diameter, min.	in	2.087
Outer diameter, actuated	in	2.15
Fitting size	-	None
Fitting option	-	Cone valve
Fitting style	-	None
Fitting type	-	None
Fitting material	-	None
Suction cup model	-	F50-2
Movement, vertical max.	in	0.087
Curve radius, min.	in	2.17

Performance - Lifting forces

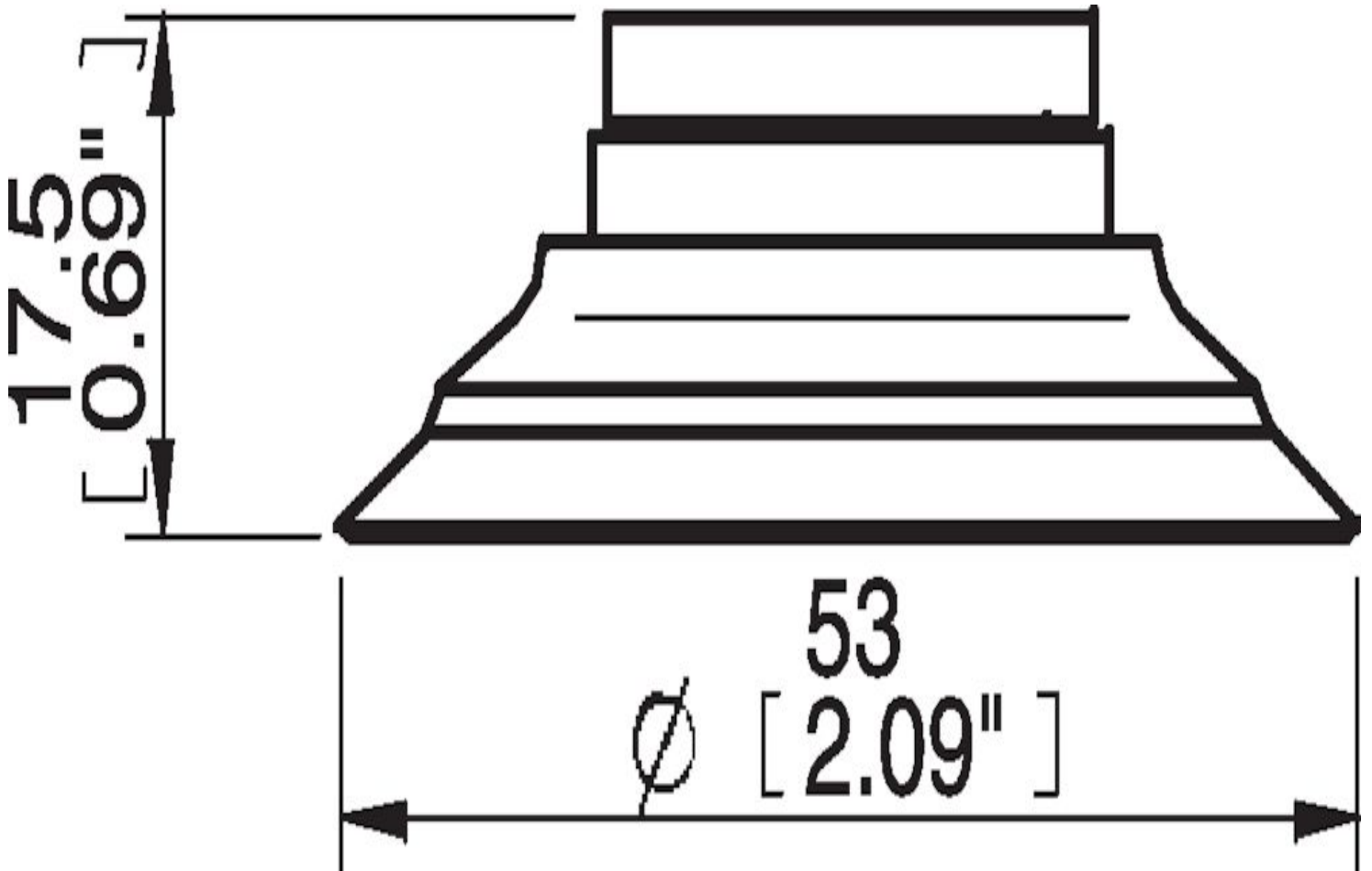
F50-2	Vertical (lb)	Parallel (lb)
5.91 -inHg	8.093	5.4
17.72 -inHg	16.64	8.99
26.58 -inHg	21.58	11.24

Material	
Name	Silicone. SIL 50° Shore A
Color	Red
Temperature, min. °F	-40
Temperature max. °F	392
Hardness °Shore A	50

Material resistance

Alcohol	Good
Concentrated acids	Poor
Ethanol	Not applicable
Hydrolysis	Fair
Methanol	Not applicable
Oil	Poor
Oxidation	Excellent
Gasoline	Poor
Wear resistance	Good
Weather and ozone	Excellent

Dimensional drawings



Values specified in this data sheet are tested at (unless otherwise stated):

- Room temperature (20°C [68°F] ± 3°C [5.5°F]).
- Standard atmosphere (101.3 [29.9 inHg] ± 1.0 kPa [0.3 inHg]).
- Relative humidity 20-70%.
- Compressed air quality, DIN ISO 8573-1 class 4.

Accessories

05AF | Fitting 5x1/8" NPSF female, 50
05AG | Fitting 1/8" NPSF female, 50, with mesh filter
05UV | Fitting 1/8" NPSF female, 50, with cone valve
05CA | Fitting 1/8" NPSF female, 50, PA
05AA | Fitting 1/8" NPSF female, 50
05AD | Fitting G3/8" male, 50, with mesh filter
05AE | Fitting 3/8" NPT male, with mesh filter
05AB | Fitting G1/4" male, 50, with mesh filter
05AC | Fitting 1/4" NPT male, with mesh filter
05DA | Fitting 1/8" NPSF female, 50, with dual flow control valve
05DB | Fitting G1/4" male, with dual flow control valve
05DC | Fitting 1/4" NPT male, with dual flow control valve
05DD | Fitting G3/8" male, 50, with mesh filter and dual flow control valve
05DE | Fitting 3/8" NPT male, with dual flow control valve
05DF | Fitting 5x1/8" NPSF female, 50, with dual flow control valve

Spare parts

31.50.057 | Cone valve for F50-2