

PX200 - Suction cup - G1/2" female

Item number: 0255314



- Confident grip on rough, structured and uneven materials such as wood, dry sheet metal, glass and stone.
- Soft, compliant EPDM sealing edge that closely follows surface contours for dependable sealing.
- Rigid aluminium fitting plate with integrated support pattern to stabilize thin and delicate workpieces.
- Gentle contact surfaces that help prevent marks, dents and permanent deformation.
- Compact internal volume for very short evacuation times and increased lifting cycles.
- Optional cone valve version that activates the cup only at pick, reducing air consumption by automatically deactivating cups that are not in contact with the workpiece.
- Sealing element is securely locked into the fitting plate yet can be easily replaced when worn.
- Threaded connection in the fitting plate for direct vacuum hookup or optional cone valves.
- Available in multiple diameters aligned with typical sizes used in wood, metal, glass and stone handling.

Technical data

| Description | Unit | Value |
|--------------------------|-----------------|--|
| Suction cup shape | - | Flat |
| Suction cup design | - | Round |
| Material | - | Ethylene Propylene (EPDM). Nitrile (NBR) |
| Weight, min. | oz | 86.38 |
| Suction cup model | - | PX |
| Volume | in ³ | 13.73 |
| Outer diameter, min. | in | 7.87 |
| Outer diameter, actuated | in | 8.62 |
| Fitting size | - | 1/2" |
| Fitting option | - | None |
| Fitting style | - | Female |
| Fitting type | - | G-thread |
| Fitting material | - | Al |
| Suction cup model | - | PX200 |
| Curve radius, min. | in | 56.89 |

Performance - Lifting forces

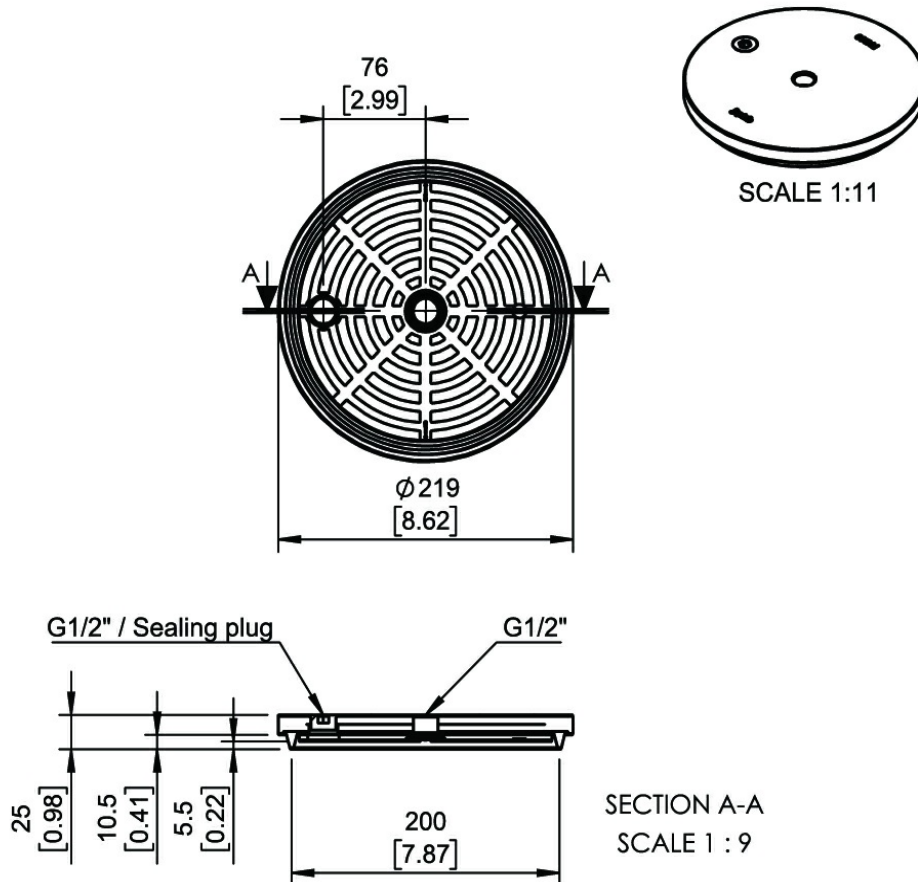
| PX200 | Vertical (lb) | Parallel (lb) |
|-------------|---------------|---------------|
| 5.91 -inHg | 129.94 | |
| 17.72 -inHg | 375.21 | |
| 26.58 -inHg | 548.54 | |

| Material | | |
|------------------------|------------------------------|------------------|
| Name | Ethylene Propylene (EPDM) 20 | Nitrile (NBR) 60 |
| Color | Black | Blue |
| Temperature, min. °F | -40 | -4 |
| Temperature max. °F | 248 | 212 |
| Hardness °Shore A | 20 | 60 |

Material resistance

| | | |
|--------------------|----------------|----------------|
| Alcohol | Excellent | Good |
| Concentrated acids | Poor | Fair |
| Ethanol | Not applicable | Not applicable |
| Hydrolysis | Good | Good |
| Methanol | Not applicable | Not applicable |
| Oil | Poor | Excellent |
| Oxidation | Excellent | Good |
| Gasoline | Poor | Good |
| Wear resistance | Fair | Excellent |
| Weather and ozone | Excellent | Fair |

Dimensional drawings



Values specified in this data sheet are tested at (unless otherwise stated):

- Room temperature (20°C [68°F] ± 3°C [5.5°F]).
- Standard atmosphere (101.3 [29.9 inHg] ± 1.0 kPa [0.3 inHg]).
- Relative humidity 20-70%.
- Compressed air quality, DIN ISO 8573-1 class 4.