

5/3-directional valve, Series IS12, size 2

2024-03-18

0820028425

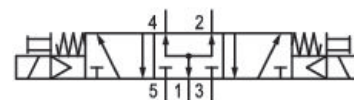
Series IS12, size 2

Qn max. [[2500] l/min]

Electr. control

Pneumatic control

Width: [[56] mm]



Technical data

Industry

Industrial

Activation

Electrically

Nominal flow Qn

1800 l/min

Version

Pressurized Center

Compressed air connection output

Base plate ISO 5599-1

Min. working pressure

2.5 bar

Max. working pressure

10 bar

Operational voltage

24 V DC

Operational voltage DC

24 V

Voltage tolerance DC

-10% / +10%

Manual override

without detent

Electrical connection type

Plug

Electrical connection size

M12

Electrical connection number of poles

3-pin

Actuating control

Double Solenoid

Sealing principle

Soft seal

Pilot

Internal

Standards

ISO 5599-1

Pilot valve width

15 mm

5/3-directional valve, Series IS12, size 2

2024-03-18

0820028425

Valve type	Spool valve, positive overlapping
Blocking principle	Single base plate principle
Connection type	Plate connection
Compressed air connection input	Base plate ISO 5599-1
Compressed air connection, exhaust	Base plate ISO 5599-1
Compressed air connection pilot input	Base plate ISO 5599-1
Compressed air connection pilot exhaust	Base plate ISO 5599-1
Power consumption DC	0.35 W
Nominal resistance	1480 Ω
Frame size	ISO 2
Min. control pressure	2.5 bar
Max. control pressure	10 bar
Min. ambient temperature	0 °C
Max. ambient temperature	50 °C
Min. medium temperature	0 °C
Max. medium temperature	50 °C
Medium	Compressed air
Max. particle size	5 μm
Min. oil content of compressed air	0 mg/m ³
Max. oil content of compressed air	5 mg/m ³
Protection class with connection	IP65
LED status display	Yellow
Duty cycle	100 %
Typ. switch-on time	20 ms
Mounting screws	M6 with hexagon socket
Mounting screw tightening torque	4 Nm
Weight	0.57 kg
Housing material	Polyamide
Seal material	Acrylonitrile butadiene rubber
Material front plate	Polyamide
Part No.	0820028425

Technical information

The min. control pressure must be adhered to, since otherwise faulty switching and valve failure may result!

The pressure dew point must be at least 15 °C less than ambient and medium temperature and may not exceed 3 °C.

The oil content of compressed air must remain constant during the life cycle.

Use only the approved oils from AVENTICS. Further information can be found in the "Technical information" document (available in <https://www.emerson.com/en-us/support>).

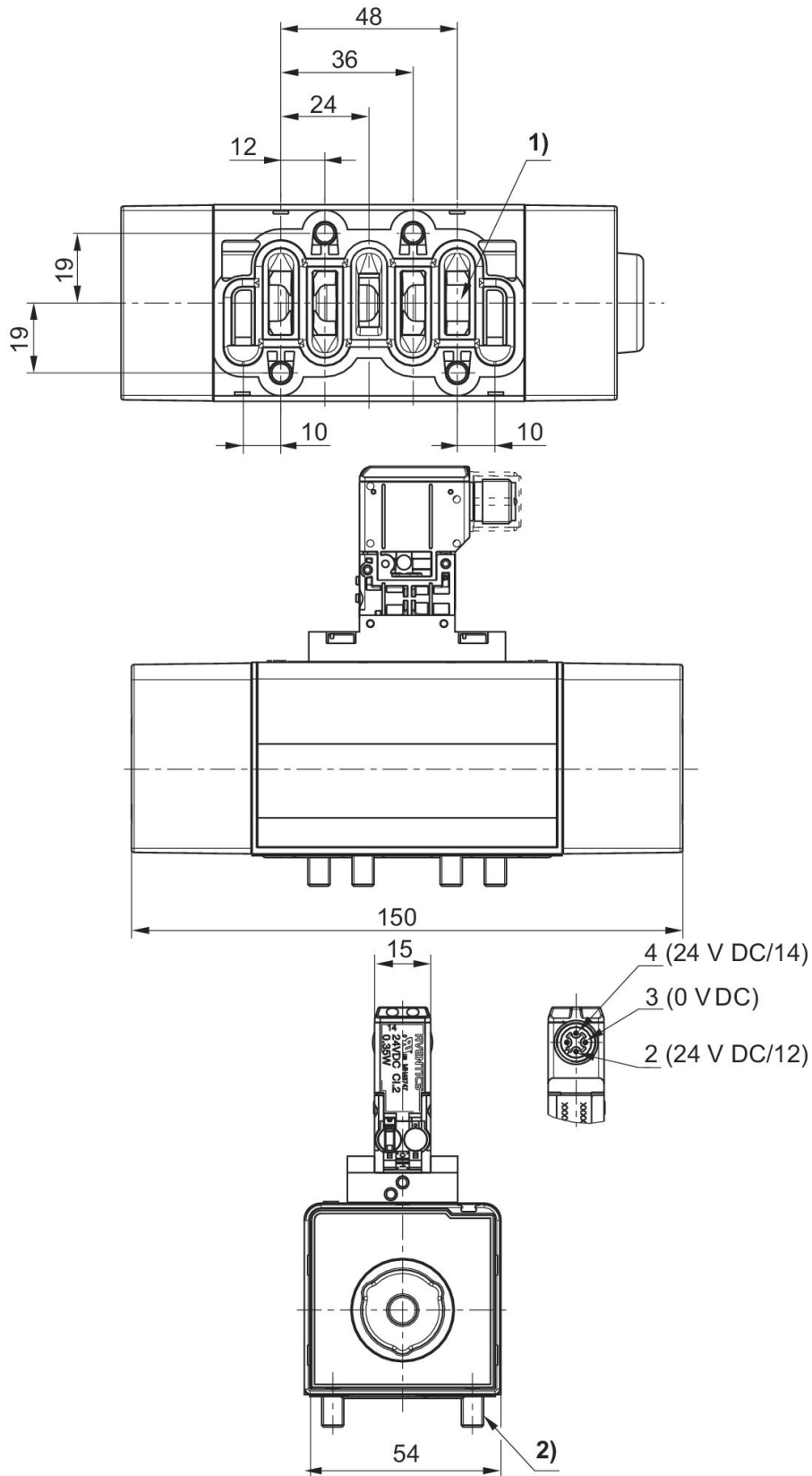
Switch-on power: 1 W for 40 ms

5/3-directional valve, Series IS12, size 2

2024-03-18

0820028425

Dimensions



1) according to ISO 5599-1
2) 4 screws M4x40 DIN 912